

SUPPLEMENT

TO THE

NEW ZEALAND GAZETTE

OF

THURSDAY, OCTOBER 19, 1905.

Published by Authority.

WELLINGTON, THURSDAY, OCTOBER 19, 1905.

CONTENTS.

	Page
Official Notices	2457
Applications for Letters Patent filed	2458
Complete Specifications accepted	2459
Provisional Specifications accepted	2463
Letters Patent sealed	2464
Letters Patent on which Fees have been paid	2464
Request to amend Specification	2464
Applications for Letters Patent abandoned	2464
Application for Letters Patent void	2464
Applications for Letters Patent lapsed	2464
Letters Patent void	2464
Designs expired	2465
Applications for Registration of Trade Marks	2465
Trade Marks registered	2467
Trade Mark Renewal Fee paid	2467
Trade Mark removed from Register	2467
Quarterly List of Inventors*	2468
Quarterly List of Inventions*	2479
Quarterly List of Trade Marks Applicants*	2491
Quarterly List of Designs Applicants*	2494
Illustrations of Inventions.	

* Alphabetical lists for the preceding quarters of the year 1905 appear in *Gazette* No. 34, of the 10th April, and No. 69, of the 20th July, and lists of former years in the annual reports of the office.

Official Notices.

PATENT OFFICE LIBRARY.

THIS library contains the following publications, viz. :—

United Kingdom.

The full text of the specifications and complete drawings of inventions patented from the year 1617 up to the 29th June, 1905.

Classified abridgments of inventions to 1900.

Illustrated Official Journal, containing lists of recent applications, abridgments of inventions for which patents have been lately granted, patents void, &c., to September, 1905.

Index of Applicants.

Subject-matter Index.

Commissioner of Patent Journal, &c. (*).

Trade Marks Journal to June, 1905.

A

Canada.

Patent Office Record (containing illustrated abridgments of inventions, &c.) to March, 1905^(b).

Australia.

The Official Journal of Patents of the Australian Commonwealth (containing lists of applications for letters patent, abridgments of complete specifications accepted, &c.).

The Gazettes of the various States (containing lists of applications for registration of trade marks, &c.).

Specifications, drawings, abridgments, and indexes of Victoria, New South Wales, Queensland, and South Australia^(c).

United States.

The Official Gazette of the United States Patent Office (containing illustrated abridgments of specifications, &c.) to September, 1905.

Mexico.

The Official Gazette of the Patent and Trade Mark Office.

General.

La Propriété Industrielle (the official organ of the International Bureau of the Union for the Protection of Industrial Property).

Patent laws of the world.

Patent and Trade Mark Review.

Text-books and handbooks on patents and trade marks.

Miscellaneous publications.

Illustrated catalogues, price-lists of machinery, &c.

BOOKS AND DOCUMENTS OPEN TO INSPECTION.

The following documents and books are open to public inspection at the Patent Office :—

Patents.

(Fee for each search or inspection, not exceeding one hour, 1s.)

1. The files relating to all applications for letters patent in respect of which complete specifications have been accepted.

2. Classified copies of specifications and drawings, with index and key^(d).

3. Register of Application for Letters Patent.
4. Register of Patents.
5. Register of Subsequent Proprietors of Letters Patent^(a).
6. Index of Patentees^(f).
7. Index of Proprietors of Letters Patent granted prior to 1890^(g).
8. Index of Specifications^(h).

Designs.

(Search fee, 1s. each quarter of an hour.)

1. Register of Designs, with Index of Names of Proprietors.
2. Classified Representations of Designs in respect of which Copyright has expired.
3. Index of Designs.

Trade Marks.

(Search fee, 1s. each quarter of an hour.)

1. The files relating to all applications for registration of trade marks.
2. Register of Applications for Registration of Trade Marks.
3. Register of Trade Marks.
4. Index of Applicants for Registration of Trade Marks⁽ⁱ⁾.
5. Index of Trade Marks.
6. Classified Representations of Trade Marks, with indexes.

Miscellaneous.**Register of Patent Agents.****FORMS.**

The following forms, &c., may be had on application:—

- Application for letters patent.
- Provisional specification.
- Complete specification and copy thereof.
- Application for registration of design.
- Application for registration of trade mark.
- Applications for extension of time.
- Requests by subsequent proprietor to enter name on Register of Patents and Trade Marks.
- Printed sheets of information as to fees and procedure to obtain letters patent and to register a trade mark^(j).
- Pamphlet containing Act and Regulations (price 1s.).

OFFICIAL PUBLICATIONS.

The following publications may be obtained from the Government Printer, Wellington:—

- Printed specifications to the end of the year 1879.
- Annual lists of letters patent and letters of registration applied for, and particulars of applications lapsed, and patents lapsed, from 1880 to 1888 inclusive.
- Annual reports of the Registrar, containing alphabetical lists of applicants for letters patent and of inventions patented from 1889 to 1904 inclusive.
- The Patents Supplement to *Gazette* (containing notifications, applications for letters patent, abridged descriptions and drawings of inventions, &c.), published fortnightly.

LOCAL PATENT OFFICES.

Local patent offices for the reception of applications for letters patent without extra payment have been appointed at the following places: Ashburton, Auckland, Blenheim, Christchurch, Dunedin, Gisborne, Greymouth, Hokitika, Invercargill, Napier, Nelson, New Plymouth, Oamaru, Queenstown, Thames, Timaru, Wanganui, Westport. These are situated in the Supreme Court Buildings and S.M. Court Houses.

PATENT AGENTS.

A list of registered patent agents may be obtained on application.

^(a) Discontinued.^(b) These may also be seen at the Public Libraries, Auckland and Christchurch.^(c) In arrears. Not now being printed.^(d) Key is in card index.^(e) This Register contains only names of subsequent proprietors of letters patent granted prior to 1st January, 1890; since that date they appear in Register of Patents.^(f) Includes all names of applicants, &c., and consists of four volumes to 4th November, 1903, and card index since that date. A separate card index is kept for current quarter.^(g) The names of proprietors of subsequent letters patent appear in the Index of Patentees.^(h) Contains classified abridgments of specifications from 1861, with extracts from drawings from July, 1904.⁽ⁱ⁾ Names of applicants for registration and proprietors of trade marks are indexed at the beginning of the Registers up to 31st December, 1889; in separate volume up to 5th September, 1904; and since the latter date, are in card index.^(j) May also be obtained at any local Patent Office or money-order office.**Applications for Letters Patent filed.**

LIST of applications for Letters Patent filed. (Where a complete specification accompanies an application an asterisk is suffixed; in all other cases a provisional specification has been lodged. In cases where the applicant is not the inventor the name of the latter appears in italics after the title.)

- No. 20133.—5th October.—F. Maokay and A. J. Beekwith, Melbourne.
Gold-extraction* (*J. C. Clancy.*)
- No. 20134.—5th October.—L. B. Morres, Melbourne.
Electric plaster. (*A. Hutchison and L. C. Mordaunt.*)
- No. 20135.—5th October.—H. C. Welch, Haverhill, U.S.A.
Shoe.
- No. 20136.—5th October.—J. T. Innes, Mount Gambier, South Australia.
Feed-water supply for steam-boiler.*
- No. 20137.—5th October.—H. L. Lightner W. Priest, and H. Feige, San Francisco.
Recovery of precious metals.*
- No. 20138.—5th October.—H. E. Dade, Canaan, U.S.A.
Loose-leaf binder.*
- No. 20139.—5th October.—United Shoe Machinery Company, Paterson, U.S.A.
Fastening-inserting machine. (*J. F. Davey.*)
- No. 20140.—5th October.—E. N. Waters, Melbourne.
Gate.* (*S. S. Hartley—J. Mason.*)
- No. 20141.—5th October.—Mergenthaler Linotype Company, New York.
Monoline composing-machine.* (*J. McNamara.*)
- No. 20142.—3rd October.—W. Dempsey, Blenheim.
Flax-stripper.
- No. 20143.—2nd October.—B. Clark, Sydney, N.S.W.
Meat-extract apparatus.*
- No. 20144.—2nd October.—B. Clark, Sydney, N.S.W.
Meat-preserving process.*
- No. 20145.—3rd October.—A. R. Morrison, Auckland.
Wire-mattress strengthener.*
- No. 20146.—3rd October.—J. H. Love, Auckland.
Horse-collar.
- No. 20147.—7th October.—R. Williams, Waikato.
Oil-filter.
- No. 20148.—6th October.—Universal Patent Bottle Company, Limited, Newcastle, N.S.W.
Non-refillable bottle.* (*A. Houseman and L. Weichert.*)
- No. 20149.—6th October.—V. C. J. Nightingall, Melbourne.
Controller for gas-burner.*
- No. 20150.—6th October.—A. H. Baskville, Wellington.
Cuff-protector and blotter.
- No. 20151.—6th October.—J. Fenton, Grey Lynn.
Hat-fastener.
- No. 20152.—7th October.—R. Williams, Waikato.
Railway coupling.
- No. 20153.—5th October.—K. A. Olsen, Port Chalmers.
Scaffolding.
- No. 20154.—9th October.—G. A. Nisbet, New Plymouth.
Vehicle circle-plate lubricator.
- No. 20155.—5th October.—J. A. Adamson, Orepuki.
Potato-harvester.
- No. 20156.—5th October.—R. O. Clark, Hobsonville, Auckland.
Kiln for earthenware.
- No. 20157.—10th October.—A. S. Ford, Coromandel.
Weighing-machine attached to dray-axle.
- No. 20158.—10th October.—C. Cannell, St. Mary's, Tas.
Pump-gearing.
- No. 20159.—10th October.—W. Brewster, Carterton.
Moth-destroyer.
- No. 20160.—10th October.—B. Arnot, Masterton.
Cooking utensil for gas-burners.*
- No. 20161.—12th October.—W. Anderson, jun., Sydney.
Supplying liquid fuel to furnace.*
- No. 20162.—12th October.—W. G. Chapman, Dunedin.
Nib-ejector.
- No. 20163.—12th October.—H. S. W. Palmer and R. V. Webster, London, Eng.
Tea preparation.*
- No. 20164.—12th October.—A. Gillies, Geelong, Vic.
Pneumatic test cups.
- No. 20165.—12th October.—A. Gillies, Geelong, Vic.
Milking-machine claw.
- No. 20166.—12th October.—J. R. Hatmaker, Paris.
Cacao-sugar and milk preparation.*
- No. 20167.—12th October.—J. R. Hatmaker, Paris.
Process of obtaining milk-sugar and casein from milk.*

- No. 20168.—12th October.—D. M. Barnett, Melbourne.
Iron-stand.*
- No. 20169.—12th October.—D. Clark, Bairnsdale, Victoria.
Gold-refining process.
- No. 20170.—12th October.—P. Andersen, Hadersleben,
Germany.
Milking-machine.*
- No. 20171.—12th October.—B. P. Gray, Birmingham,
England.
Hoof-pad for horse-shoe.*
- No. 20172.—12th October.—A. W. Reid, Stratford.
Liquid-flow regulator.
- No. 20173.—10th October.—W. G. Meddings, Remuera.
Fire-alarm.
- No. 20174.—13th October.—H. Nalder, Nelson.
Toeclip.
- No. 20175.—12th October.—J. Ellen, Staveley.
Sheep-brand.
- No. 20176.—12th October.—J. A. Head, Lyttelton.
Brush and polishing-glove.*
- No. 20177.—12th October.—A. McLeod, Dunedin.
Diving-dress.
- No. 20178.—13th October.—H. I. M. Ross, Dunedin.
Ventilating system.*
- No. 20179.—16th October.—G. Moore, Pahiatua.
Vehicle-cushion.
- No. 20180.—12th October.—R. Love and T. H. Keesing,
Auckland.
Pictorial post-card.*
- No. 20181.—14th October.—W. Muir, Gisborne.
Buildings-ventilator.
- No. 20182.—17th October.—J. G. ter Hofsteede, Sunbury,
Victoria.
Legging-fastening.
- No. 20183.—17th October.—L. Pearce, Fremantle, W. A.
Tobacco-pipe.*
- No. 20184.—17th October.—R. W. Stuart, Sydney.
Burner for petroleum-vapour gas.*
- No. 20185.—17th October.—W. H. Bowser, Brisbane, Q.
Scaffolding-crimp.
- No. 20186.—17th October.—J. Dickason and A. McLennan,
Melbourne.
Cow bail and stall.
- No. 20187.—18th October.—E. J. Humphries, Maitauro.
Plough, &c., wheel-mounting.
- No. 20188.—18th October.—W. B. Jones, Hastings.
Fencing-standard.
- No. 20189.—18th October.—D. G. Watson, Timaru.
Trace-spreader.

Notice of Acceptance of Complete Specifications.

Patent Office,
Wellington, 19th October, 1905.

COMPLETE specifications relating to the undermentioned applications for Letters Patent have been accepted, and are open to public inspection at this office. Any person may, at any time within two months from the date of this *Gazette*, give me notice in writing of opposition to the grant of any such patent. Such notice must set forth the particular grounds of objection, and be in duplicate. A fee of 10s. is payable thereon.

No. 18749.—16th November, 1904.—WILLIAM JOHN RAE, of 47, Market Street, Melbourne, Victoria, Australia, Stationer (assignee of Edmund Thomas Luke, of Normanby Road, Caulfield, near Melbourne aforesaid, Artist). An improved combined time-table for trains, trams, 'busses, ferries, and the like, and advertising-device.

Claims.—(1.) The combined time-table and advertising-device constructed, arranged, and operating substantially as and for the purposes specified, and as illustrated in the drawings. (2.) In a combined time-table and advertising-device, a wheel or disc (as *a*) pivoted about its centre to cards (as *c* and *d*), and having handles or tabs (as *e*), substantially as and for the purposes specified, and as illustrated in the drawings. (3.) In a combined time-table and advertising-device, a wheel or disc (as *a*) divided into portions, and having large figures (as *f*) to indicate the hours and small figures (as *i*) to indicate the number of minutes past the hours at which the trains start printed thereon, substantially as and for the purposes specified, and as illustrated in the drawings.

(Specification, 2s. 6d.; drawing, 1s.)

No. 18889.—23rd December, 1904.—GEORGE STEVENSON, of Regent Street, Woolston, Canterbury, New Zealand, Cycle Engineer. An improved mop-wringer attachment to buckets.*

Claim.—The circular spiral cone-shaped attachment to the bucket shown in the drawing (Fig. 1). The special

features claimed are that the spiral walls of attachment engage in the fibre of the mop and squeeze out the liquid. The superfluous liquid cannot lodge anywhere, but escapes instantly into the bucket through the spaces between the spiral walls of the cone-shaped mop-receptacle.
(Specification, 1s. 6d.; drawing, 1s.)

No. 19000.—28th January, 1905.—ARTHUR HOPWOOD, of The Square, Palmerston North, New Zealand, Ironmonger. Improved means for use in keeping accounts.*

[NOTE.—The title in this case has been altered. (See list of provisional specifications, *Gazette* No. 11, of the 9th February, 1905.)]

Claim.—In means for keeping stores accounts, a duplicate account-sheet for each customer doubled over along a line of perforations and provided with a carbon sheet placed between, in combination with a back piece of stiff material, to the face of which the account-sheet is adapted to be secured, the top end of such back piece being turned up and over so as to form a flat top edge at right angles to the main portion, and the bottom edge being turned up and over, substantially as and for the purposes specified.

(Specification, 2s. 6d.; drawing, 1s.)

No. 19585.—8th June, 1905.—JOHN WATT, of 104, Dowling Street, Dunedin, New Zealand, Gas Engineer. An improved portable gas fire-ball heater for attaching to any ordinary pendant bracket or other gas attachment.

Claims.—(1.) Using of a metal ball or globe with Bunsen burner permanently attached and complete in itself so as to regulate the exact quantity of air and gas without any further adjustment of supply of gas. (2.) By using the flame from perforation C, C, C, to produce expansion of gas in globe or ball A, A, to produce a flame under pressure. (3.) By attaching wire tube or coil covered with asbestos fibre round ball or globe as a heat and flame intensifier. (4.) By using the polished or plated surfaces as radiator and reflector of heat and flame to produce the appearance of ordinary fire.

(Specification, 2s. 3d.; drawing, 1s.)

No. 19667.—3rd July, 1905.—COLORADO IRONWORKS COMPANY, a Maine corporation, of Denver, Colorado, United States of America (assignees of Norman V. Fitts, Draughtsman, and Randall P. Atkins, Mechanical Engineer, both of Denver aforesaid). Improvements in vibrating-screen mechanism.

Claims.—(1.) A vibrating-screen apparatus consisting of a fixed frame, a movable inclined screen-carrying frame, springs centrally connected with the screen-frame and supported intermediate their extremities, and cam wheels engaging the central portions of the screen-frame on opposite upper sides thereof to move it in opposition to the springs, substantially as described. (2.) A vibrating-screen apparatus consisting of a fixed frame, a movable inclined screen-carrying frame, springs centrally connected with the screen-frame and supported intermediate their extremities, and cam wheels engaging the central portions of the screen-frame on opposite sides thereof to move it in opposition to the springs, said springs being connected with the fixed frame by tie bars, substantially as described. (3.) A vibrating-screen apparatus consisting of a fixed frame, a movable inclined screen-carrying frame, springs centrally connected with the screen-frame and supported intermediate their extremities, cam wheels engaging the central portions of the screen-frame on opposite sides thereof to move it in opposition to the springs, and limiting-stops being preferably used to arrest the upward movement of the screen-frame, said stops being disposed at different points thereover on opposite sides of the centrally arranged cam wheels, substantially as described. (4.) A screen apparatus comprising the movable inclined frame, springs upon which the same rests, means for adjusting the springs engaging the central portions thereof, means for moving the screen-frame in opposition to the springs, and tie bars connecting the springs with the fixed frame of the apparatus, substantially as described. (5.) A screening apparatus comprising a movable inclined frame supported on bow-shaped springs arranged vertically of the sides of the frame, a tension device supporting the springs centrally, tie bars connecting the central parts of the springs with the fixed frame, and means located centrally above the side bars of the screen-frame for moving said frame in opposition to the springs, substantially as described. (6.) A screen arranged at an inclination and having means for vibrating the same in a direction across the plane of its incline, with water-distributing means extending over the said screen, substantially as described. (7.) A screen apparatus comprising a movable inclined frame carrying the screen-cloth, means for vibrating the inclined frame in a direction across the plane of its incline, and a plate or plates mounted on the vibrating frame below the screen-cloth and adapted to cause the water to pass upwardly

therethrough from its free surface, substantially as described. (8.) A screen apparatus comprising an inclined frame vibrating in a direction across the plane of its incline and having the screen-cloth thereon, and having below the same a plate or plates with upwardly directed ends extending within a short distance of the screen-cloth and preferably with openings between the plates for the escape of the material, said upwardly directed ends causing the water to pass upwardly through the screen as it proceeds down the incline, substantially as described. (9.) An inclined screen with means for vibrating it in a direction across the plane of its incline, and a plate or plates arranged closely below the screen-cloth and vibrating therewith, with means for supplying water, substantially as described.

(Specification, 12s.; drawing, 6s.)

No. 19911.—19th August, 1905.—JOHN HANSEN, of Taupiri, Auckland, New Zealand, Storekeeper. An improved gum-hook.

Claim.—The improved gum-hook specified, having the ring formation at top of the solid rod slidably fitted within the hollow or tube rod at a point below the handle of the hook, for the purpose set forth, substantially as described and illustrated.

(Specification, 2s.; drawing, 1s.)

No. 19913.—22nd August, 1905.—WILLIAM EADIE CLARK, of 9, Picton Avenue, Wellington, New Zealand, Cabinet-maker. An improved draught, rain, and dust excluder for doors.

Claims.—(1.) The special rebating of the door-bar at a particular angle so as to form an overlap or protection of the working parts from the weather when beating against an outer door. (2.) The suspending of the flap to the door-bar with a flexible spring wire. (3.) The bow spring which when the bar is fastened to the door gives an additional pressure on the flap when it touches the door-stop.

(Specification, 1s. 6d.; drawing, 1s.)

No. 19923.—23rd August, 1905.—FOUNTAIN ANTHONY WINTER, of "Preston," Bent Street, North Sydney, New South Wales, Australia, Managing Salesman. Improvements in machines and tools for cutting dovetail mortises and tenons.

Extract from Specification.—The distinctive characteristics of this invention are as follows: (a) The machine supporting one or more revolving spindles for cutting slots or one or more pairs of revolving spindles for cutting tenons; (b) the cutting-tool having a revolving cutting-edge tapering from the bottom or outer end to the top or inner face, adapted to cut its whole depth at once, and to be controlled so to do; (c) the directing tool or template parallel to and adapted to be affixed to the surface of the body to be cut or fashioned, and having a directing-slot or shaped edges to control the relative travelling-positions of the work and the cutting tool or tools; and (d) travelling-devices or means whereby the cutting-tool controlled as to depth and direction by the template is travelled in the work, or whereby the work and template (controlling the depth and direction of the cut) is travelled past and on the tool.

[NOTE.—The above extract from the specification is inserted in place of the claims.]

(Specification, 9s.; drawings, 2s.)

No. 19946.—30th August, 1905.—DRUITT HALPIN, of 17, Victoria Street, Westminster, London, England, Consulting Engineer. Improvements in the construction of and method of working thermal-storage apparatus in connection with steam-generators.

Extract from Specification.—Each storage reservoir is connected to the steam-space of the drum B by a tube C, which has an extension C¹ within the reservoir so as to establish a free communication between the steam-space of the drum and those of the reservoirs A, A'. The feed-water is introduced separately into each of the reservoirs by a pipe D provided with a shut-off cock, and the contents of a reservoir when fully charged with water at about the same temperature as that of the boiler is discharged, when required, into the drum B through a pipe E provided with a valve E¹ operated by the valve-rod E². An overflow-pipe F connected to the pipe E serves to carry off any excess of water from the reservoir into the drum B. G is a water-level gauge for indicating the height of the water in the reservoir.

[NOTE.—The above extract from the specification is inserted in place of the claims.]

(Specification, 10s.; drawings, 6s.)

No. 19961.—31st August, 1905.—JOHN ISAAC MOSS, of 196, Vere Street, Abbotsford, Victoria, Australia, Commission Agent. Improvements in self-acting window-locks.

Claims.—(1.) In improvements in self-acting window-locks and in combination, a bearing for attachment to the lower sash, a rectangular plate for attachment to the upper sash, said rectangular plate having an integral cheek, an extension of said cheek, a hole in said cheek, a sector or guide made integrally with the said rectangular plate, a shoulder on said sector or guide, a lug protruding from the rectangular plate, a hole in said lug, a pivot-pin passing through and resting in the hole in said lug and in the hole in the cheek, an elongated slot in the rectangular plate, which slot is bridged by the said pivot-pin, a semicircular disc suspended by the said pivot-pin and capable of a radial movement between the said cheek and the said sector or guide, said semicircular disc having its outer half lightened and provided with strengthening ribs and its inner portion of heavier construction than the outer portion, a stop upon the top of said inner portion, all as and for the purposes described, and as illustrated in the drawings. (2.) In improvements in self-acting window-locks, a bearing for attachment to the lower sash, a rectangular plate for attachment to the upper sash, said rectangular plate having an integral cheek, an extension of said cheek, a hole in said cheek, a sector or guide made integrally with the said rectangular plate, a shoulder on said sector or guide, a lug protruding from the rectangular plate, a hole in said lug, a pivot-pin passing through and resting in the hole in said lug and in the hole in the cheek, an elongated slot in the rectangular plate, which slot is bridged by the said pivot-pin, a semicircular disc suspended by the said pivot-pin and capable of a radial movement between the said cheek and the said sector or guide, said semicircular disc having its outer half lightened and provided with strengthening ribs and its inner portion of heavier construction than the outer portion, a stop formed integrally upon the top of said inner portion, an incut across the top of the said inner portion, in combination with a pawl, said pawl having its lower end forked and its upper end weighted or of heavier construction, a hole in said upper end, a corresponding hole in the cheek of the rectangular plate, a pivot-pin passing through and resting in said holes and suspending said pawl, an extension to said pawl, an elongated slot in said rectangular plate through which said pawl-extension passes, a depression in the rectangular plate around such elongated slot, a circumferential slot in the inner portion of the semicircular disc to accommodate the said pawl, all as and for the purposes described, and as illustrated in the drawings.

(Specification, 6s. 6d.; drawing, 1s.)

No. 19962.—31st August, 1905.—JOHN GEORGE LEYNER, of the Hotel Metropole, Denver, Colorado, United States of America, Manufacturer of Mining Machinery. A hammer-piston, drill-bit striking-pin, feed-screw-rotating rock-drilling engine.

Extract from Specification.—My invention relates to improvements in rock-drilling engines, and the objects of my invention are—(1.) To provide a hammer-piston, drill-bit striking-pin, feed-screw-rotating rock-drilling engine. (2.) To provide a striking-pin for the hammers of piston-hammer drills. (3.) To provide a drill-bit-rotating device for piston-hammer rock-drills that operate through the medium of the rotation of the drill-bit feed-screw. (4.) To provide a striking-pin member that is interposed between the piston-hammer and the drill-bit, and that is adapted to be struck by the piston-hammer during its reciprocal strokes in its cylinder and impart the blows it receives from the piston-hammer to the end of the drill-bit. (5.) To provide a manually operated drill-bit-rotating device for rock-drilling engines that operates to rotate the drill-bit by manual rotation of the feed-screw. (6.) To place a hardened-steel compensating-reciprocal-movement striking-pin member between the piston-hammer and the drill-bit of fluid-pressure drills. (7.) To provide a drill-bit-rotating device for piston-hammer rock-drills that operates through the medium of the rotation of the drill-bit feed-screw, and that contains a hammer and drill-bit pin between the piston-hammer and the drill-bit. (8.) To provide a combined drill-bit-rotating and drill-bit-feeding device that operates through means connected with the manual rotation of the drill-bit's feed-screw. (9.) To provide a manually operated drill-bit-rotating device for rock-drilling engines that operates to rotate the drill-bit by manual rotation of the feed-screw. (10.) To provide a manually operated drill-bit-rotating and drill-bit-feeding device that operates through the medium of the rotation of the feed-screw that is especially designed for use with piston-hammer rock-drills. (11.) To provide a drill-bit-rotating device that is operatively arranged to effect the rotation of the feed-screw by the manual rotation of the feed-screw and suitable gearing. (12.) To provide means within the drilling-engine that will enable the users to employ for rock-cutting drill-bits any form or character

of cross section of any merchantable tool-steel that is adapted for use as rock-cutting drill-bits without forming or placing upon them collars or shoulders or other devices that act as an abutment for defining the length of the shank that projects into the drilling-engine within the reciprocal path of the piston-hammer. (13.) To provide means within the drilling-engine for preventing dirt, sand, or grit of any kind or character which may be on the shank of the rock-cutting drill-steel at the time it is inserted in the rock-drilling engine, or that might in any other way get into the engine, from working into the piston-hammer cylinder of the drilling-engine. (14.) To provide a rock-drilling engine having a manually operated drill feeding and rotating mechanism that is sensitive enough to enable an operator to feel the character of the rock he is drilling in, and thus enable him to govern the feeding of the rock-cutting drill-bit to suit the hard and soft spots and the cracks, crevices, talcy seams, &c., encountered in drilling holes in rock. (15.) To provide a manually operated drill-bit-rotating and drill-bit-feeding device that operates through the medium of the rotation of the feed-screw that is especially designed for use with piston-hammer rock-drills. (16.) To provide a piston-hammer striking-pin that has an operative drill-bit striking and adjusting movement relative to the piston-hammer and the drill-bit. (17.) To provide a drill-bit holding-sleeve and a striking-pin co-operatively arranged to hold and strike the drill-bit, and a buffer device arranged to protect the striking-pin and drill holding-sleeve from the blows of the piston when a drill-bit is in the sleeve but is not in operative position against rock, or in case the piston is operated when a drill-bit is not in the sleeve. (18.) To provide a drill-bit having a shank consisting of a straight piece of the steel of which the drill-bit is made without a collar or shoulder or a turned portion, and a drill holding-sleeve adapted to receive it and hold it in operative striking relation to the piston-hammer. (19.) To provide a small light-weight rock-drilling engine of simple construction that can be reciprocally fed in a supporting shell that is adapted to be supported by any of the drill-clamping and supporting columns or tripods in common use.

[NOTE.—The above extract from the specification is inserted in place of the claims.]

(Specification, £1 4s. ; drawings, 2s.)

No. 19986.—6th September, 1905.—EDWARD THOMAS POLLARD, Engineer, and EMIL LEO BEHRMANN, Merchant, both of 49, Cannon Street, London, England. Improvements in cigarette-machines.

Claims.—(1.) In a cigarette-making machine, the combination of a V-grooved wheel with compression-wheels and stationary wedges entering the groove, substantially as described. (2.) In machines such as are claimed in claim 1, mounting the compression-wheels after the first in a frame, substantially as described. (3.) In a cigarette-making machine, the method of driving the paper-carrying belt substantially as described and illustrated. (4.) In a cigarette-making machine, the combination of a rod carrying a rotary knife, a cam moving the rod longitudinally, and a second cam rocking the rod, substantially as described. (5.) In a cigarette-making machine, the cutting apparatus substantially as described, with reference to Figs. 3, 4, and 5.

(Specification, 3s. 6d. ; drawing, 1s.)

No. 19987.—6th September, 1905.—HENRI PIEPER, of 18, Rue des Bayards, Liege, Belgium, Manufacturer. An improved method of governing or controlling electrically driven machines.

Claim.—A method of equalising or rendering uniform the power absorbed by intermittently working machines driven by continuous electric currents, in which method a fly-wheel is utilised, which is coupled to a single dynamo connected in series with the receiver to absorb work during the stoppages of the motor and to subsequently restore the absorbed power when the motor is running (during which time the fly-wheel machine may slacken and even stop), the method being characterized by the fact that the motor is controlled or regulated by acting on its excitation circuit alone with a view to maintaining a current of the proper value for insuring that the power drawn from the generator shall be constant whether the motor is running or at rest.

(Specification, 8s. ; drawings, 2s.)

No. 20017.—11th September, 1905.—FREDERICK JAMES SHELTON, of Wellington, New Zealand, Importer. An improved valve.

Extract from Specification.—The valve is formed of a main casting A comprising a cylindrical chamber B with side passages C, D, leading from it at right angles and at points diametrically opposite to each other. The extremities of these branches are tapped to receive the gas or water service pipes, and thus to allow of the valve being placed in position

to control the service. Fitted closely within the cylinder B is a plug or plunger E formed with a groove F extending circumferentially around it. This plug is made of such a length that the portion of its length below the groove F will be capable of closing the mouths of the branches C and D leading from the cylinder. To the top of the plug the rod G is attached, and this rod passes out through a nut H closing the top of the cylinder, and to its extremity is attached a thumb-piece J. By moving the plug the groove F may be placed opposite the branches C and D, so as to allow of gas or water passing around the plug and flowing from one branch to the other, and may be moved away therefrom so as to close the opening. . . . A by-pass L (Fig. 3) may be formed in the casting, and leading from the branch C around through the wall of the cylinder B into the branch D. A small set screw (1) is screwed into the casting, and its point enters the by-pass. By means of this screw such by-pass may be closed or opened to any desired degree so as to govern the amount of gas passing through it.

[NOTE.—The above extracts from the specification are inserted in place of the claims.]

(Specification, 2s. 9d. ; drawing, 1s.)

No. 20019.—12th September, 1905.—PINTSCH'S PATENT LIGHTING COMPANY, LIMITED, of 38, Leadenhall Street, London, England, Manufacturers (assignees of Julius Pintsch, of 72-73, Andreasstrasse, Berlin, German Empire, Engineer). Improvements in inverted incandescence gas and like lamps.

Claims.—(1.) In inverted incandescence gas or vapour lamps, hinging the Bunsen tube so as to provide access to the nipple from below, substantially as described. (2.) In inverted incandescence gas or vapour lamps, a Bunsen tube hinged to the supporting frame and normally held coaxial with the nipple by a yielding stop or catch, substantially as described. (3.) In the apparatus claimed in the preceding claim, an adjustable sleeve on the Bunsen tube, substantially as and for the purpose specified. (4.) In inverted incandescence gas or vapour lamps, supporting the mantle from a hinged reflector whereby ready access is obtained to the mantle from below the lamp, substantially as described. (5.) An inverted incandescence gas or vapour lamp constructed substantially as described and illustrated.

(Specification, 3s. ; drawing, 1s.)

No. 20023.—12th September, 1905.—WILLIAM ERNEST HUGHES, of Queen's Chambers, Wellington, New Zealand, Registered Patent Agent (nominee of Hugo Lentz, of 10 and 11, Potsdamerstrasse, Germany, and Charles Bellens, of 43, Rue de Chezy, at Neuilly-sur-Seine, France, Mechanical Engineers). Improvements in and relating to steam-distribution for locomotives.

Claims.—(1.) The application to locomotives for the purpose of efficiently utilising superheated steam of valve-distributing gears, effected merely by changing the driving-cylinder, the distribution being controlled by the rod of the slide (maintained in its original position) converted into distributing-rod, this rod being provided with toggle-joints so as to obviate all changes in the other external members of the distributing gear. (2.) A cylinder for superheated steam locomotives and valve-distributing gear, characterized by a single valve-chest cast upon the cylinder and extending throughout its entire length, the said box arranged in such a manner that its walls and the conduits through which the live steam circulates are perfectly isolated from the casing of the driving-cylinder and that all the valves rise independently of the distributing mechanism when an increase of pressure takes place within the cylinder. (3.) The application of the device characterized above to compound cylinders. (4.) The cover for the distributing-chest, characterized by a long passage with transverse tubes enclosing the valves and closed by plugs, serving to protect these parts from external influences whilst at the same time enabling them to be readily inspected. (5.) The arrangement rendering the application of connecting-rod reversing gear for locomotives unaffected by the yielding or spring suspension of the driving-wheel, characterized by a bar or equivalent part forming a rigid connection between the driving-wheel axle and the point of articulation of a distributing-gear lever, the position of which adjustable.

(Specification, 6s. ; drawing, 1s.)

No. 20027.—13th September, 1905.—HENRY R. WORTHINGTON, a corporation organized and existing under the laws of the State of New Jersey, and having their principal place of business at 114, Liberty Street, New York, United States of America (assignees of Frederick Ray, of East Orange, State of New Jersey aforesaid, Mechanical Engineer). Improvements in centrifugal and similar pumps.

Claims.—(1.) In a centrifugal or similar pump of that class having impellers with suction-openings at each side, a

plurality of impellers and impeller-casings with a common suction-chamber for the impellers, a casing enclosing the impellers and suction-chamber, and a common delivery into which the impeller-casings merge. (2.) A centrifugal or similar pump having a plurality of impellers with a common suction chamber and delivery, substantially as shown and described in connection with the drawings.
(Specification, 2s. 3d.; drawings, 2s.)

No. 20033.—14th September, 1905.—HENRY R. WORTHINGTON, a corporation organized and existing under the laws of the State of New Jersey, and having their principal place of business at 114, Liberty Street, New York, United States of America (assignees of Frederick Ray, of East Orange, State of New Jersey aforesaid, Mechanical Engineer). Improvements in centrifugal, turbine, and similar pumps.

Claims.—(1.) In a centrifugal, turbine, or similar pump, a suction-passage formed in two volutes on opposite sides of and transverse to the impeller suction-opening. (2.) In a centrifugal, turbine, or similar pump of that class taking its suction from below the impeller suction-opening, a suction-passage formed in two volutes extending upward on opposite sides of and meeting above the impeller suction-opening. (3.) A centrifugal, turbine, or similar pump having the double volute suction-head, substantially as described, and shown in the drawings.
(Specification, 2s. 6d.; drawing, 1s.)

No. 20036.—21st September, 1904.—JAMES ROBINSON HATMAKER, of No. 25, Rue de la Faisanderie, Paris, France, Gentleman. Improved milk food for infants and others, and method of manufacture.

[NOTE.—This is an application under section 106 of the Act, the date given being the official date of the application in Great Britain.]

Claims.—(1.) The dry sterile homogeneous milk food described. (2.) Food composed of milk constituents in approximately the proportions specified, in dry flaky form, homogeneous in character, and sterile, produced as indicated. (3.) The process of obtaining the described milk food which consists in bringing liquid milk to the proper composition to yield a dry product of approximately the composition specified, and in then drying it by suitably exposing it for a limited time to a temperature in excess of 212° Fahr., substantially as described in the specification of Letters Patent No. 16287.
(Specification, 2s.)

No. 20037.—21st September, 1904.—JAMES ROBINSON HATMAKER, of No. 25, Rue de la Faisanderie, Paris, France, Gentleman. Improved milk food for infants and others, and method of manufacture.

[NOTE.—This is an application under section 106 of the Act, the date given being the official date of the application in Great Britain.]

Claims.—(1.) The dry sterile homogeneous milk food described. (2.) Food composed of milk constituents in approximately the proportions specified, in dry flaky form, homogeneous in character, and sterile, produced as indicated. (3.) The process of obtaining the described milk food which consists in bringing liquid milk to the proper composition to yield a dry product of approximately the composition specified, and in then drying it by suitably exposing it for a limited time to a temperature in excess of 212° Fahr., substantially as described in the specification of Letters Patent No. 16287.
(Specification, 2s.)

No. 20039.—14th September, 1905.—ARCHIBALD L. FALLS, of Cambridge, Auckland, New Zealand, Hardware Salesman. Improved means for fastening slashers and the like.

Claims.—(1.) For the purpose indicated, a ferrule made by bending a piece of sheet metal into a truncated cone, welding the edges together at the larger end and providing a V-shaped slit upon one side of the ferrule, a handle secured within the ferrule by a screw, and a slasher-blade or the like secured to the handle by the grip of the ferrule which is sprung upon the handle, substantially as set forth. (2.) The combination and arrangement of parts comprising the improved means for fastening slashers and the like, substantially as and for the purposes set forth, and illustrated in the drawing.
(Specification, 1s. 6d.; drawing, 1s.)

No. 20060.—20th September, 1905.—Frank Cotton, of Hornsby, New South Wales, Australia, Engineer. An improved furnace for garbage-destruction and other purposes.

Claims.—(1.) A furnace for garbage-destruction and for other purposes consisting of a vertical furnace provided with a sloping floor, a suitable flue, outlet, and lid, and a horizontal air channel or tunnel, within which is placed a gas-nozzle, substantially as described and as illustrated. (2.) In a furnace for garbage-destruction and for other purposes, a gas-nozzle in combination with a vertical furnace provided with a sloping floor, an outlet, and a flue, and an air-draught inlet, substantially as described and as illustrated.
(Specification, 2s.; drawing, 1s.)

No. 20066.—21st September, 1905.—JAMES PAULL, of Wyndham, New South Wales, Australia, Mining Engineer. An automatic gate-opener.

Claims.—(1.) The invention of a device for opening and closing gates by means of wire ropes passing round a wheel and pulleys, and so arranged with levers attached to upright posts placed at right angles to gate when closed at a distance equal to width of gate that by pulling or pushing either lever the gate is released from the catch which holds it closed or open, and is by the same action swung open either way, or shut, as may be desired. (2.) The special combination and arrangement of mechanism described, and illustrated in my drawings, by which the results set forth in the preceding claims are effected.
(Specification, 2s. 6d.; drawing, 1s.)

No. 20082.—13th September, 1905.—ROBERT MILLAR, of Outram, New Zealand, Inventor. Improved spraying apparatus.

Claims.—(1.) In a portable spraying-machine, the combination of a compressed-air chamber with the receptacle for holding the spraying-fluid, these being connected by a pipe and tap admitting the compressed air at the bottom of the spraying-liquid to keep same agitated, with a valve to prevent the return of said liquid to said air-chamber, all substantially as set forth, and as shown on the drawing. (2.) In a portable spraying apparatus, in combination, a spring air-pump worked preferably by foot, thus freeing both hands, forcing air to the receptacle for spraying-liquid or to the supplementary air-reservoir, afterwards to be delivered to the said spraying-liquid under same for assisting agitation, with an automatic valve when needed to prevent the return of the spraying-liquid to the air pump or chamber, all substantially as set forth and described and explained. (3.) In a portable spraying apparatus, the combination of a reaction wheel or spraying-tip at the delivery end of the compressed-air pipe near the bottom of the spraying-liquid, all substantially as set forth, and as described and explained. (4.) In a wheeled spraying-machine, in combination, a receptacle for holding the spraying-liquid, with a pipe and tap from compressed-air chamber, which is replenished by an air-pump geared to and worked by the carrying wheels for maintaining full spraying-pressure, all substantially as set forth.
(Specification, 3s.; drawing, 1s.)

No. 20088.—25th September, 1905.—REGINALD BAXLEY, of New Plymouth, New Zealand, Draughtsman. An improvement to be fastened on to the sole of any boot or shoe.

Extract from Specification.—In carrying out my invention I cut out from thin plates of any metal pieces of the shapes shown in Figs. 1 and 2. The sides B, B, denoted by dotted lines in Fig. 1 are then turned over, as shown at B, B (Fig. 3). I then turn up the arm D (Fig. 3) at a right angle at the dotted line A, A (Fig. 3). I then punch four or more small holes at C, C, C, C (Fig. 3). I then turn up the arm E (Fig. 6) at a right angle at the dotted lines F, F (Fig. 6), and punch a small hole at G (Fig. 6). The squares marked in Figs. 3 and 6 represent where the metal is punched down to simulate the heads of large nails. To use the improvement slip Fig. 6 into Fig. 3 and under the sides marked B, B, and slide it in until the improvement fits close to the sides of the sole of the boot or shoe; a small flat-headed peg of metal is then dropped through the hole marked G (Fig. 6) into one of the holes marked C, C, C, C (Fig. 3), and which prevents the improvement (Figs. 3 and 6) from being pulled apart.

[NOTE.—The above extract from the specification is inserted in place of the claims.]

(Specification, 2s.; drawing, 1s.)

No. 20091.—22nd September, 1905.—ANDREW KININMONT, of Gisborne, New Zealand, Slaughterman. An improved slaughterman's gambrel.

Claims.—(1.) A slaughterman's gambrel made of iron or steel, and composed of two parts, joined together with a knuckle-joint in the middle, the same as delineated in the drawing, and described in the specification. (2.) A slaughterman's gambrel made of iron or steel, and composed of two parts, joined together with a knuckle-joint in the middle, which is rigid when brought to a horizontal position, and collapses when required, the same as delineated in the drawing, and described in the specification. (Specification, 2s. 6d.; drawing, 1s.)

No. 20093.—26th September, 1905.—ALBERT HENRY BASKIVILLE, of Post and Telegraph Stores, Wellington, New Zealand, Clerk. Improved braces.

Claims.—(1.) The improved braces comprising, in combination, improved clips, with elastic attachments, and improved regulators, the whole being connected by links, and constructed according to the instructions, substantially as described. (2.) The improved braces comprising, in combination, improved clips, with elastic attachments, and improved regulators, which, when made as directed, unfasten in the described manner and fasten automatically, the whole being connected by links, and constructed according to the instructions, substantially as described. (Specification, 2s. 6d.; drawing, 1s.)

No. 20098.—27th September, 1905.—JOHN NICHOLSON, of 63, Elizabeth Street, Paddington, near Sydney, New South Wales, Australia, Assayer. Apparatus for separating gold and minerals from associated earthy formations.

Claims.—(1.) In apparatus for separating gold and minerals from earthy formation, a taper cylinder adapted to be centrally fed while revolving within a fluid-charged outer casing, and having a longitudinal outlet arranged to discharge the separated valuable particles, as described, and for the purposes set forth. (2.) In a revolving taper cylinder having feeding and discharging trunnions, the longitudinal aperture as C¹ of any desired width, for the purposes set forth. (3.) In apparatus of the class described, a taper cylinder encircled with chain bands, as described and illustrated, and for the purposes set forth. (4.) In apparatus of the class described, the combination with one or more encircling chain bands attached to a revolving cylinder, of a series of tappet-rollers adapted to produce vibratory and concussive movements to the said cylinder, as described and shown. (5.) A tappet-roller as O, a forked rod as P, a frame as Q, a spring as R, encircling said rod, as described and illustrated, and for the purposes set forth. (6.) In apparatus of the class described, a current-inducer centrally situated within a revolving cylinder and having a supply-pipe encircled with perforated rings and provided with an outlet-nozzle, as described and illustrated, and for the purposes set forth. (7.) In apparatus of the class described, the combination consisting of a taper cylinder provided with a longitudinal discharging - aperture, feeding and discharging trunnions supporting said cylinder running in bearings, a stationary hopper and chute, and a stationary discharge-pipe connected to said trunnions with stuffing boxes and glands, and a centrally situated current-inducer located within said cylinder, as described and illustrated, and for the purposes set forth. (8.) In apparatus of the class described, the outer casing as A, adapted to enclose a revolving cylinder, the outer passages as B¹, the longitudinal opening as W, the receptacle as X, the lock as Y, the discharge-pipe as Z, the revolving spray as A¹, the spray-pipes as D¹, the overflow-lips as E¹, and the supporting-standards F¹, as described and illustrated, and for the purposes set forth. (9.) In a casing of a separator having a receptacle for precipitated particles, a rotary lock as Y, adapted to receive and discharge the precipitated particles, as described and illustrated, and for the purposes set forth. (10.) The general combination and arrangement of the parts described and illustrated, the whole forming my apparatus for separating gold and minerals from associated earthy formations. (Specification, 3s. 9d.; drawings, 2s.)

No. 20099.—27th September, 1905.—JOHN NICHOLSON, of 63, Elizabeth Street, Paddington, near Sydney, New South Wales, Australia, Assayer. Apparatus for saving gold or minerals freed from earthy formations.

Claims.—(1.) In apparatus serviceable for arresting and collecting gold and minerals, a travelling endless lower band such as J, adapted to be converted at a desired part of its length into a trough-like formation such as J¹, as described,

and for the purposes set forth. (2.) In apparatus of the class described, the combination with the aforesaid travelling trough-formation band or belt, of a superimposed travelling endless band such as L, as described and illustrated, and for the purposes set forth. (3.) In an endless travelling band for apparatus of the class described, the trough-like formation J¹, the flanged edges J², formed continuously with edge-runners, or the like, such as M, as described and illustrated, and for the purposes set forth. (4.) In an endless travelling band serviceable as a conveyer, means such as roller L, adapted for spreading to its normal width a continuously forming trough which is a component part of such band, as described and illustrated. (5.) A travelling endless band or belt composed of plush, coir fibre, or the like, such as J, having a trough formation J¹, formed with flanged edges J², a widened portion arranged as a rising gradient, extending from a roller L to a roller Q, and from thence operating downwardly to a submerged roller T, and thence upwardly to an end roller K, as described and illustrated, and for the purposes set forth. (6.) An endless chain, or a series of such, adapted to be attached to an endless band, tappet-rollers as V for supporting said chains, as described, and for the purposes set forth. (7.) In apparatus of the class described, the combination with a travelling endless band, of a sprayer as O, a fluted roller as L, with sprayer as P, a revolving comb as R, operating against a heading-roller as Q, as described, and for the purposes set forth. (8.) In apparatus of the class described, the combination with an endless travelling band or belt such as J, of a receiving-chamber such as B, as described and illustrated, and for the purposes set forth. (9.) In apparatus of the class described, the general combination and arrangement of the parts consisting of a main frame A, a receiving-chamber B, a lower endless travelling band or belt J, the endless chain U, the tappet-roller V, the rollers K, Q, and T, the fluted roller L, the revolving comb R, the spray-pipes O, P, and S, the superimposed endless band I, the endless chains U, the rollers G and H, as described and illustrated, and for the purposes set forth. (Specification, 6s.; drawings, 2s.)

An asterisk (*) denotes the complete specification of an invention for which a provisional specification has been already lodged.

NOTE.—The cost of copying the specification and drawing has been inserted after the notice of each application. An order for a copy or copies should be accompanied by a post-office order or postal note for the cost of copying.

The date of acceptance of each application is given after the number.

Extracts from the drawings accompanying the foregoing complete specifications appear at the end of this *Gazette*.

F. WALDEGRAVE,
Registrar.

Provisional Specifications accepted.

Patent Office,
Wellington, 18th October, 1905.

APPLICATIONS for Letters Patent, with provisional specifications, have been accepted as under:—

- No. 19975.—A. M. Grainger, weed-cutting plough.
- No. 19976.—W. Kennedy, lifting side of plough.
- No. 20009.—J. E. McLean, garment match-striker.
- No. 20029.—R. C. Noedl, clothes-prop end.
- No. 20072.—J. C. Ellis, watch-regulating tag.
- No. 20076.—J. A. Grofski, hydraulic ram.
- No. 20077.—J. A. Head, and J. D. L. Leech, combined window and burglar-alarm.
- No. 20078.—A. J. Clegg, indicating closing and sorting of mails.
- No. 20090.—H. Ham, flax-stripper frame.
- No. 20095.—W. E. Hughes, candle-holder. (H. M. Levinge.)
- No. 20102.—T. J. Whelan, label and address holder.
- No. 20103.—A. C. Ford, oil drum or can.
- No. 20105.—H. W. Aspinall and E. J. Rigby, supplying water to rock-drills.
- No. 20106.—W. E. Hughes, hand poison-layer. (H. H. Hinds and G. J. Lewis.)
- No. 20108.—C. J. Lamkin, C. H. G. Croll, and A. S. Mitchell, producer-gas generator.
- No. 20109.—W. T. Ashton, timber-planing machine.
- No. 20111.—L. A. Orr, cycle-driving gear.
- No. 20114.—J. S. Mail, W. J. Stanton, and P. H. Storie, folding chair.
- No. 20120.—A. Matheson, wall-paper cutter.
- No. 20121.—E. M. Edkins, reversing-gear for feeding-roller of saw-bench.
- No. 20122.—C. E. Larsen, spouting-bracket.

No. 20126.—R. Perry, fastening pulley to window-sash.
 No. 20130.—G. V. Kemsley, electrical fire-alarm.
 No. 20131.—G. V. Kemsley, electrical fire-alarm.
 No. 20139.—United Shoe Machinery Company, boot-fastener-inserting machine. (J. F. Davey.)

NOTE.—Provisional specifications cannot be inspected, or their contents made known by this office in any way, until the complete specifications in connection therewith have been accepted.

Letters Patent sealed.

LIST of Letters Patent sealed from the 5th October to the 18th October, 1905, inclusive:—

No. 17729.—R. R. Douglas, dredge-ladder-roller protector.
 No. 17971.—C. F. F. Allan, baker's oven.
 No. 17978.—J. T. Hunter, securing cover on nightsoil-pan. (J. W. and S. Hardley.)
 No. 18069.—W. H. Clement, plough for clearing water-races.
 No. 18082.—R. J. McDonald, boot-manufacture.
 No. 18095.—P. J. Devine, pig-trough.
 No. 18107.—A. L. Christenson, inlet-pipe for separator.
 No. 18150.—B. F. Dunn, wire-mattress tightener.
 No. 18174.—H. S. Clark and R. Logan, jun., position-finder.
 No. 18218.—E. Don, boot-finishing.
 No. 18228.—A. Speden, door-lock.
 No. 18379.—W. Stevenson, boiler, tub, and clothes-carrier.
 No. 18512.—H. Beck, electric arc lamp.
 No. 18961.—J. Fuhrer, explosive.
 No. 19221.—W. A. Hendryx, ore-treatment.
 No. 19222.—W. A. Hendryx, metal-extraction.
 No. 19257.—Consolidated Rubber Tire Company, rubber tire. (A. S. Krotz.)
 No. 19268.—F. Cotton, liquid-fuel burner.
 No. 19306.—D. B. M. Ecker and S. Gironcoli, preserving meat.
 No. 19308.—W. A. Stetson, ring-spinning machine. (D. Despradelle.)
 No. 19373.—Leede Process Company, gas-manufacture. (J. Leede.)
 No. 19423.—P. H. Watts, cream-separator.
 No. 19453.—H. Querier, conveyor.
 No. 19527.—J. G. Turton, cultivator and seeder. (Massey-Harris Company, Limited—L. M. Jones and A. Johnston.)
 No. 19530.—J. K. Stewart, motor-power-transmitting mechanism.
 No. 19531.—J. K. Stewart, driving-clutch for power-transmission.
 No. 19552.—T. Driffield and P. T. Johns, chimney-top.
 No. 19613.—H. M. Sutton, W. L. and E. G. Steele, concentrating-table.
 No. 19614.—H. M. Sutton, W. L. and E. G. Steele, di-electric separator.
 No. 19615.—The Automatic Meter Company, bill-deliverer for meter. (R. W. Gallagher.)
 No. 19621.—T. J. A. Macdonald, amalgamator.
 No. 19622.—T. P. Rudkins and P. K. O'Brien, goods-mover.
 No. 19635.—H. J., and A. Coulthurst, M. Yarrow, and W. R. Haworth, pipe-making machine.

Letters Patent on which Fees have been paid.

[NOTE.—The dates are those of the payments.]

SECOND-TERM FEES.

No. 14089.—Compressed Fodder Company of New South Wales, Limited, press for fodder (G. S. Cameron and M. K. Westcott). 4th October, 1905.
 No. 14112.—F. Eisenbeis and F. Garely, stone-cutting and drilling machine. 5th October, 1905.
 No. 14160.—E. Phillips, explosive (E. Steele). 12th October, 1905.
 No. 14171.—A. J. Ross, teat-cutter. 6th October, 1905.
 No. 14202.—Rendrock Powder Company, explosive (W. A. Gill). 13th October, 1905.
 No. 14278.—British Westinghouse Electric and Manufacturing Company, Limited, regulation and distribution of electric currents (J. P. Campbell—B. G. Lamme). 12th October, 1905.
 No. 14279.—British Westinghouse Electric and Manufacturing Company, Limited, winding for electric machine (J. P. Campbell—B. G. Lamme). 12th October, 1905.
 No. 14283.—British Westinghouse Electric and Manufacturing Company, Limited, winding for electric machine (W. E. Hughes—B. G. Lamme). 12th October, 1905.
 No. 14338.—Babcock and Wilcox, Limited, boiler-furnace (J. Chambers and Son, Limited—Babcock and Wilcox, Limited—C. A. Knight). 12th October, 1905.

THIRD-TERM FEES.

No. 11497.—G. Westinghouse, pneumatic controlling apparatus. 12th October, 1905.

Request to amend Specification.

Patent Office,
 Wellington, 18th October, 1905.

REQUEST for leave to amend the specification relating to the undermentioned application for Letters Patent has been received, and is open to public inspection at this office. Any person may, at any time within one month from the date of this Gazette, give me notice in writing of opposition to the amendments. Such notice must set forth the particular grounds of objection, and be in duplicate. A fee of 10s. is payable thereon.

No. 18515.—B. J. Mouat. Draught-regulator for grates and ranges. (Advertised in Supplement to *New Zealand Gazette* No. 91, of the 10th November, 1904.)

The nature of the proposed amendment is as follows:—

(1.) To strike out the third claim, consisting of the words: "A damper placed immediately under the fire-bars of a grate or range to control the draught admitted to same, substantially as set forth."

The applicant states:—

My reasons for making this amendment are as follow:—
 (1.) In developing my invention this claim fails to describe same in the manner thought, before such developing had taken place.

(2.) The claim is perhaps too broad.

I therefore desire claim 3 to be deleted.

F. WALDEGRAVE,
 Registrar.

Applications for Letters Patent abandoned.

LIST of applications, with which provisional specifications only have been filed, abandoned (i.e., complete specifications not lodged), from the 5th October to the 18th October, 1905, inclusive:—

No. 18834.—A. W. Gillies, milk-can.
 No. 18840.—O. T. Wills, folding crate. (D. G. Vaughan.)
 No. 18841.—T. Cannon, anti-rattler for windows.
 No. 18842.—T. Walker, hoe.
 No. 18845.—C. E. Gibbins, model for teaching music.
 No. 18846.—F. A. Pim, maize-drill.
 No. 18847.—W. S. Wright, carburetter for kerosene.
 No. 18850.—H. Gunn, smoke-consumer.
 No. 18851.—D. G. Sutherland, tobacco-cutter.
 No. 18854.—F. V. Raymond, plate-rack.
 No. 18860.—W. H. Paterson, pneumatic tire.
 No. 18863.—W. McKeegan, branding-device.
 No. 18864.—J. C. Fraser, steam turbine.
 No. 18865.—C. J. Johnson and J. Carlaw, fire-bridge and smoke-consumer.
 No. 18866.—V. Karl, weed-eradicator.
 No. 18869.—W. M. Norrie, potato-peeler.
 No. 18870.—J. C. Legg, bread.
 No. 18874.—H. S. Clark, tap for tin.

Application for Letters Patent void.

APPLICATION for Letters Patent, with which complete specification has been lodged, void, owing to non-acceptance of such complete specification, from the 5th October to the 18th October, 1905, inclusive:—

No. 18128.—A. J. Hosier, A. Whatley, and W. Kelly, straining liquids.

Applications for Letters Patent lapsed.

LIST of applications lapsed, owing to Letters Patent not being sealed, from the 5th October to the 18th October, 1905, inclusive:—

No. 17748.—J. Scorrar, belting-fastener.
 No. 17749.—J. Salinger, elevator-alarm.
 No. 17763.—L. Marks, trouser-stiffener.
 No. 17799.—Ah Pat, handling nails.
 No. 17803.—F. O. R. Jagusch, carpet-beater.

Letters Patent void.

LETTERS Patent void through non-payment of renewal fees, and through expiry of term of fourteen years, from the 5th October to the 18th October, 1905, inclusive:—

THROUGH NON-PAYMENT OF SECOND-TERM FEES.

No. 13785.—Universal Microphone Company, Limited, graphophone. (W. C. Runge.)
 No. 13788.—J. Breedon, slimes-treatment.
 No. 13789.—J. Gaut, firearms.
 No. 13791.—Dr. E. A. Behrens, acetic-acid manufacture.

- No. 13793.—W. Downing and W. L. Davidson, butter printer, cutter, and presser.
- No. 13794.—J. D. Tripe, earmarking-pliers.
- No. 13796.—J. J. Leahy and A. Parmiter, transferring belt from one pulley to another.
- No. 13798.—P. R. Russell, legging-manufacture.
- No. 13800.—P. Rabbidge, magneto-telephone.
- No. 13804.—H. Goodacre, boot-upper.
- No. 13806.—F. J. Odling and W. Jamieson, magnetic separator.
- No. 13809.—J. P. Campbell, calcium-carbide admission-valve. (W. Widmann.)
- No. 13814.—D. Catley, lasting-pinchers.
- No. 13816.—C. May, liquid level-indicator.
- No. 13818.—W. H. Harrison, electro-amalgamator.
- No. 13819.—J. Bartlett, grease-destroying composition in scrim.
- No. 13822.—O. P. Ostergren, latent-heat utilisation.
- No. 13824.—J. Sinclair, propeller.
- No. 13825.—The Linotype Company, Limited, wiper for linotype machine. (E. Waters, jun.—The Linotype Company, Limited—P. C. Lawless.)
- No. 13826.—J. S. Holmes, check and sales book.
- No. 13832.—J. Tanner, lantern.
- No. 13841.—F. Clifford, cover for frying-pan.

THROUGH NON-PAYMENT OF THIRD-TERM FEES.

- No. 10746.—The New South Wales Fresh Food and Ice Company, Limited, butter printing and weighing machine. (A. Christie.)
- No. 10757.—J. H. Folkerts, yeast-production.
- No. 10764.—A. Kay, acetylene-generator.
- No. 10775.—H. R. and H. L. Hancock, rock-drill.

THROUGH EXPIRY OF TERM.

- No. 5227.—E. Waters, dressing crushed ores. (O. Bilharz.)

Designs expired.

THE copyright in the following designs has expired:—

- No. 121.—A. H. Milner, of Greymouth, New Zealand. Class 2. (Brooch).
- No. 122.—J. B. Mansfield, of Christchurch, New Zealand. Class 3. (Kerbing.)

Applications for Registration of Trade Marks.

Patent Office,
Wellington, 18th October, 1905.

APPLICATIONS for registration of the following trade marks have been received. Notice of opposition to the registration of any of these applications may be lodged at this office within two months of the date of this Gazette. Such notice must be in duplicate, and accompanied by a fee of £1.

No. of application: 5493.
Date: 31st August, 1905.



The essential particular of the trade mark is the distinctive device; and applicants disclaim any right to the exclusive use of the added matter, except their name and address.

NAME.

SIMMONS HARDWARE COMPANY, a corporation of the State of Missouri, United States of America, and located at Ninth and Spruce Streets, St. Louis, State of Missouri, United States of America.

B

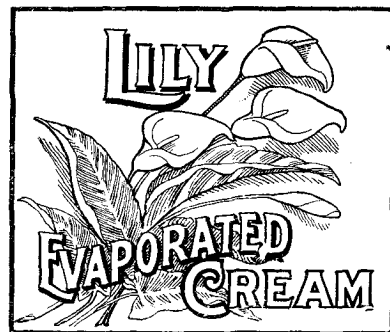
No. of class: 12.

Description of goods: Axes, adzes, hatchets, butcher-knives, farrier-knives, hunting-knives, pocket-knives, skinning-knives, sticking-knives, carving-knives, carving-forks, razors, bush-hooks, tobacco-cutters, tobacco-knives, food-cutters, drawing-knives, box-scrapers, planes, plane-irons, chisels, gouges, meat-choppers, cleavers, mincing-knives, augers, boring-bits, files, rasps, pliers, pinchers, nippers, forks, beet-topping knives, cane-knives, corn-knives, hay-knives, broom-corn knives, shears, clippers, scissors, tanners' snips, scythes, grass-hooks, saws, glass-cutters, slaw-cutters, kraut-kutters, can-openers.

No. of application: 5530.

Date: 20th September, 1905.

TRADE MARK.



The essential particulars of this trade mark are the devices and the word "Lily"; and any right to the exclusive use of the added matter is disclaimed.

NAME.

IRVINE AND STEPHENSON'S ST. GEORGE COMPANY, LIMITED, of Dunedin, and elsewhere in the Colony of New Zealand, Manufacturers.

No. of class: 42.

Description of goods: Preserved milk.

No. of application: 5531.

Date: 20th September, 1905.

TRADE MARK.

The words

ST. GEORGE.

The applicants claim that the said trade mark has been in use by them and their predecessors in business in respect of the articles mentioned since prior to 1st January, 1890.

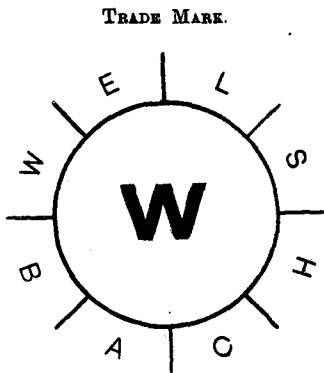
NAME.

IRVINE AND STEPHENSON'S ST. GEORGE COMPANY, LIMITED, of Dunedin, and elsewhere in the Colony of New Zealand Manufacturers.

No. of class: 42.

Description of goods: Arrowroot, baking-powder, bacon, cordials and beverages (non-alcoholic) and preparations for making them, butter, capers, carraways, cassia, cooking-powders, chicory, chillies, condiments, cloves, coffee, condensed milk, curry powder and paste, desiccated cocoanut, egg-powder, fish (canned and dried), fruit (dried and preserved), hams, herbs (used for edible purposes), honey, hops, jam, jellies, juices (non-alcoholic), lard (used for edible purposes), marmalade, meat-extracts and preserved and canned meats, table oils, olives, pepper, pickles, preserves, rennet, sauces, sausages, soups, spices, sugar, syrups (not medicinal), table-jelly crystals, tallow (used for edible purposes), tea, tongues, treacle, vegetables, and vinegar.

No. of application : 5540.
Date : 27th September, 1905.



NAME.

THE WELSBACH LIGHT COMPANY OF AUSTRALASIA, LIMITED,
of Victoria Street, Wellington, New Zealand.

No. of class : 13.
Description of goods : Incandescent lamps.

No. of application : 5541.
Date : 27th September, 1905.

TRADE MARK.

(The mark as shown in preceding notice, No. 5540.)

NAME.

THE WELSBACH LIGHT COMPANY OF AUSTRALASIA, LIMITED,
of Victoria Street, Wellington, New Zealand.

No. of class : 15.
Description of goods : Globes and glassware of all kinds
for use with lamps.

No. of application : 5542.
Date : 27th September, 1905.

TRADE MARK.

(The mark as shown in preceding notice No. 5540.)

NAME.

THE WELSBACH LIGHT COMPANY OF AUSTRALASIA, LIMITED,
of Victoria Street, Wellington, New Zealand.

No. of class : 18.
Description of goods : Burners and mantles for incandescent lamps.

No. of application : 5543.
Date : 28th September, 1905.

TRADE MARK.



The essential particular of this trade mark is the distinctive label as illustrated; and applicants disclaim any right to the exclusive use of the device of a bicycle wheel and any added matter, save and except their name and address.

NAME.

ADNAMS BROS., of Christchurch, in the Colony of New Zealand, Cycle-manufacturers.

No. of class : 22.
Description of goods : Bicycles.

No. of application : 5555.
Date : 4th October, 1905.

TRADE MARK.

The word

BENGALL

The applicants claim that the said trade mark has been used by them and their predecessors in business since upwards of ten years before the 2nd September, 1889.

NAME.

THOS. RADLEY CADMAN AND SONS, of 211, St. Mary's Road, Sheffield, England, Manufacturers.

No. of class : 12.
Description of goods : Cutlery and edge tools, including razors and scissors.

No. of application : 5556.
Date : 4th October, 1905.

TRADE MARK.

The word

SUNBEAM.

NAME.

ALLAN SMITH, of 76, Ingestre Street, Wellington, in the Colony of New Zealand, Grocer.

No. of class : 42.
Description of goods : Butter,

No. of application : 5563.
Date : 7th October, 1905.

TRADE MARK.
The words
LA GLORIA.

NAME.
HANNCHEN ALICE TAYLOR, of Occidental Hotel, Wellington, in the Colony of New Zealand.

No. of class : 48.
Description of goods: Toilet articles, such as skin-cream, perfumed soap, &c.

No. of application : 5564.
Date : 7th October, 1905.

TRADE MARK.
The words
KIWI BRAND.

The essential particular of this trade mark is the word "Kiwi"; and any right to the exclusive use of the word "Brand" is disclaimed.

NAME.
THE PALMERSTON NORTH MILD CURE BACON COMPANY, of Palmerston North, in the Colony of New Zealand.

No. of class : 42.
Description of goods: Bacon and hams.

No. of application : 5568.
Date : 12th October, 1905.

TRADE MARK.
The word
DUPLEX.

The applicants claim that the said trade mark has been used by them and their predecessors in business in respect of the articles mentioned for at least one year before the 2nd September, 1889.

NAME.
THE HART MANUFACTURING COMPANY, of Cleveland, Ohio, United States of America, Manufacturers of Adjustable Threading-tools.

No. of class : 6.
Description of goods: Metal-working tools and machinery in this class.

No. of application : 5569.
Date : 12th October, 1905.

TRADE MARK.
The word
"SHYGNWEL."

NAME.
HARRY HARPER ERINS, of 12, Featherston Street, Wellington, in the Colony of New Zealand, Practical Gunsmith.

No. of class : 50.
Description of goods: Polish for boots, stoves, and floors.

No. of application : 5572.
Date : 13th October, 1905.



NAME.
ZOHRAB AND Co., of Crawford Street, Wellington, in the Colony of New Zealand.

No. of class : 42.
Description of goods: Tea, baking-powder, sauces, pepper, coffee, and all food-products.

F. WALDEGRAVE,
Registrar.

Trade Marks registered.

LIST of Trade Marks registered from the 5th to the 18th October, 1905, inclusive:—
No. 4227; 5226.—C. H. Stevens; Class 8. (*Gazette* No. 81, of the 6th April, 1905.)
No. 4228; 5382.—Young's Chemical Company; Class 3. (*Gazette* No. 67, of the 13th July, 1905.)
No. 4229; 5235.—C. A. Rickards, Limited; Class 30. (*Gazette* No. 71, of the 27th July, 1905.)
No. 4230; 5277.—E. H. Clark; Class 22. (*Gazette* No. 71, of the 27th July, 1905.)
No. 4231; 5377.—Sargood, Son, and Ewen; Class 36. (*Gazette* No. 71, of the 27th July, 1905.)
No. 4232; 5385.—Union Clothing Company; Class 38. (*Gazette* No. 71, of the 27th July, 1905.)
No. 4233; 4954.—J. Thawley; Class 42. (*Gazette* No. 91, of the 10th November, 1904.)
No. 4234; 5390.—Fairbairn, Wright, and Co.; Class 42. (*Gazette* No. 71, of the 27th July, 1905.)
No. 4235; 5383.—G. H. Bush; Class 39. (*Gazette* No. 71, of the 27th July, 1905.)
No. 4236; 5384.—G. H. Bush; Class 47. (*Gazette* No. 71, of the 27th July, 1905.)
No. 4237; 5386.—Jameson, Anderson, and Co.; Class 42. (*Gazette* No. 71, of the 27th July, 1905.)
No. 4238; 5411.—Wood Bros., Limited; Class 42. (*Gazette* No. 71, of the 27th July, 1905.)

Trade Mark Renewal Fee paid.

FEE paid for the renewal of the undermentioned trade mark:—
For fourteen years from the date first mentioned.
No. 347/280.—19th October, 1905.—T. Symington and Co., of Edinburgh and London. 12th October, 1905.

Trade Marks removed from the Register.

TRADE Marks removed from the Register, owing to the non-payment of the renewal fees, from the 5th to the 18th October, 1905, inclusive:—
Nos. 259/196 and 260/197.—7th July, 1891.—L. Henry, of Sydney, New South Wales.

Alphabetical List of Applicants for Letters Patent for Quarter ending 30th September, 1905.

THIS list includes also (1) applications lodged prior to but gazetted during the quarter, (2) complete specifications following provisional specifications accepted and gazetted during the quarter. Where the number and date of the Gazette are omitted, the application has not yet been accepted.

* Denotes a provisional specification. † Denotes a prior date under section 106 of "The Patents, Designs, and Trade Marks Act, 1889."

Name, Address, and Invention.	Application.		Gazette.	
	No.	Date.	No.	Date.
Abbott, G. A., Melbourne, Vic. Water-filter	18393	1 Sept., 1904	78	24 Aug.
Adams, J. H., Thames, N.Z. Medical syringe	19947	30 Aug. ..	82	7 Sept.*
Adams, R. N., Dunedin, N.Z. (See G. Capstick, No. 19900.)				
Adams, W., Dunedin, N.Z. Fine-gold extractor	19902	18 Aug. ..	88	5 Oct.
Adcock, G., Christchurch, N.Z. Kettle	19600	15 June ..	71	27 July.
Adoroff, A., Wellington, N.Z. Burner for gas-range	19912	22 Aug. ..	82	7 Sept.*
Airey, H., Karangahake, N.Z. Centrifugal separator for mercury ..	19881	15 Aug. ..	78	24 Aug.*
Aitken, R. M., Reefton, N.Z. Extracting antimony and arsenic from ores	19603	16 June ..	78	24 Aug.
Aktiebolaget Lux, Limited, Stockholm, Sweden. Check-valve for gas. (F. J. H. Rustige)	19855	8 Aug. ..	82	7 Sept.
Aktiebolaget Separator, Stockholm, Sweden. Separator. (A. J. Ericsson)	19866	10 Aug. ..	85	21 Sept.
Aktiebolaget Separator, Stockholm, Sweden. Separator. (B. Ljungstrom)	19867	10 Aug. ..	85	21 Sept.
Aktiebolaget Separator, Stockholm, Sweden. Separator. (A. J. Ericsson)	19868	10 Aug. ..	85	21 Sept.
Allan, A. T. W., and another, Thames, N.Z. Gold-saving table ..	20115	25 Sept.
Allan, C. F. F., Auckland, N.Z. Hot-water boiler	19879	12 Aug. ..	82	7 Sept.*
Allan, C. F. F., Auckland, N.Z. Carving-table, hot closet, and plate-rack	19967	28 Aug. ..	85	21 Sept.*
Allan, C. F. F., Auckland, N.Z. Hurdle for horse-racing ..	19968	28 Aug.
Alley, C. J., Farnon, N.Z. Chiming and crozing machine	20042	15 Sept. ..	88	5 Oct.*
Anderson, A., Karori, N.Z. Music-teaching apparatus	19698	10 July ..	71	27 July.*
Anderson, F. H., and others, Auburn, Vic. Steel-bar manufacture	20070	21 Sept. ..	88	5 Oct.*
Anderson, G., Christchurch, N.Z. (See Christchurch Meat Company, Limited, No. 18456.)				
Anderson, T. S., Sheffield, Eng. Smelting ores, ironsand, &c. ..	19663	3 July ..	75	10 Aug.
Andreas, E. P., Leura, N.S.W. Acetylene-generator	20088	14 Sept.
Andrew, G. E., and another, Melbourne, Vic. Package or tin for jam, &c.	19954	31 Aug. ..	82	7 Sept.*
Armstrong, F. W., Christchurch, N.Z. Pipe-cleaner	19964	30 Aug. ..	82	7 Sept.*
Armstrong, G., and others, Dunedin, N.Z. Rope-block or lifting-tackle	20013	7 Sept. ..	85	21 Sept.*
Ashcroft, R. W., and others, Pahiatua, N.Z. Water-closet	19553	5 June ..	71	27 July.
Ashcroft, S., and others, Dannevirke, N.Z. Water-closet	19553	5 June ..	71	27 July.
Ashton, W. T., Makotuku, N.Z. Planing-machine	20109	28 Sept. ..	91	19 Oct.*
Aspinall, H. W., and another, Melbourne, Vic. Supplying water to rock-drill	20105	28 Sept. ..	91	19 Oct.*
Atkins, R. P., and another, Denver, U.S.A. (See Colorado Iron-works Company, No. 19667.)				
Automatic Meter Company, San Francisco, U.S.A. Bill-delivery mechanism for meter. (R. W. Gallagher)	19615	20 June ..	71	27 July.
Baggesen, F. C., Melbourne, Vic. Butter-box	17726	29 March, 1904	67	13 July.
Baggstrom, E. L., Auckland, N.Z. Feed-water heater, &c.	19774	21 July ..	75	10 Aug.*
Bailey, C. E., Dunedin, N.Z. Vehicle-spring equaliser	18541	4 Oct., 1904 ..	88	5 Oct.
Baldwin, E. S., and another, Wellington, N.Z. Seed-sower and conductor-tube. (C. Bristow)	19872	11 Aug. ..	78	24 Aug.*
Ball, J., and another, Wanganui, N.Z. Game	19824	1 Aug. ..	75	10 Aug.*
Ballinger, M. I., South Preston, Vic. Releasing horse from vehicle	19957	31 Aug. ..	82	7 Sept.*
Ballot, J., and others, London, Eng. Ore-concentration	19633	27 June ..	71	27 July.
Ballot, J., and others, London, Eng. Ore-concentration	19634	27 June ..	71	27 July.
Barclay, W. R., and another, Leicester, Eng. (See United Shoe Machinery Company, No. 18752.)				
Barker, J. C., Leeds, England. Water-filter	19942	29 Aug. ..	88	5 Oct.
Barrett, G., Manurewa, N.Z. Tool-holder	19743	17 July ..	71	27 July.*
Barrow, F., Auckland, N.Z. Upholstering cushions, &c. (The Novelty Tufting Company—A. Freschi)	19736	13 July ..	75	10 Aug.*
Barton, F. W., and others, Dunedin, N.Z. Turnip-thinner	19491	8 May ..	71	27 July.
Barton, F. W., and others, Dunedin, N.Z. Flooring, lining, &c., cramp	19780	21 July ..	78	24 Aug.
Barton, F. W., and others, Dunedin, N.Z. Food-protector for animals and birds	19873	8 Aug. ..	85	21 Sept.
Baskerville, A. H., Wellington, N.Z. Trousers-suspenders	20093	26 Sept. ..	91	19 Oct.
Bates, A., and another, Leicester, Eng. (See United Shoe Machinery Company, No. 18752.)				
Baty, T. B., Greymouth, N.Z. Steam-engine	20062	20 Sept. ..	88	5 Oct.*
Bawden, J. M., Traralgon, Vic. Egg-boiling cruet-stand	20021	12 Sept. ..	85	21 Sept.*
Baxter, J., Dunedin, N.Z. Sash raiser and lock	19696	5 July
Baxter, J., Dunedin, N.Z. Sash raiser and lock	19697	5 July ..	75	10 Aug.*
Bayley, R., New Plymouth, N.Z. Boot-sole attachment	20088	25 Sept. ..	91	19 Oct.
Beale, O. C., and another, Annandale, N.S.W. Piano-door	19985	6 Sept. ..	88	5 Oct.
Beckett, T., Palmerston North, N.Z. Propelling-vessel	19773	21 July

ALPHABETICAL LIST OF APPLICANTS FOR LETTERS PATENT—continued

Name, Address, and Invention.	Application.		Gazette.	
	No.	Date.	No.	Date.
Behrmann, E. L., and another, London, Eng. Cigarette-machine ..	19986	6 Sept.	91	19 Oct.
Belk, M., Palmerston North, N.Z. Meat-brand ..	18672	27 Jan.	71	27 July.
Bell, J., Prahara, Vic. Pump-repairing jack for boots, &c. ..	19851	8 Aug.	78	24 Aug.*
Bellens, C., and another, Neuilly-sur-Seine, France. (See W. E Hughes, No. 20023.)				
Bellens, C., and another, Neuilly-sur-Seine, France. (See W. E. Hughes, No. 20067.)				
Bellingham, S. R., Rydal, N.S.W. Animal-feed box ..	19927	23 Aug.	88	5 Oct.
Benness, A., and others, Collingwood, Vic. Game ..	19763	19 July	71	27 July.*
Bennett, C. A., and others, Auckland, N.Z. High-pressure boiler ..	19856	8 Aug.	85	21 Sept.
Bennet. (See Buritton—Bennet.)				
Bentley, J. F., Auckland, N.Z. Collapsible chair ..	19787	20 July	78	24 Aug.*
Bills, W., Melbourne, Vic. Wire mattress ..	19639	27 June	71	27 July.
Bird, W. H., and another, Wanganui, N.Z. Game ..	19824	1 Aug.	75	10 Aug.*
Bishop, R. C., Christchurch, N.Z. Boiler for gas-range ..	19181	8 March	88	5 Oct.
Bishop, R. C., Christchurch, N.Z. Gas-heated boiler ..	20024	12 Sept.	88	5 Oct.
Bissaker, C. H., Cootamundra, N.S.W. Acetylene-generator ..	20071	21 Sept.
Blackburn, F., and another, Auckland, N.Z. Non-refillable bottle ..	20047	14 Sept.
Blockley, J. J., and another, Palmerston North, N.Z. Cowl and chimney-pot	19804	29 July	88	5 Oct.
Blogg, J. K., Melbourne, Vic. Culinary essence ..	19955	31 Aug.	88	5 Oct.
Bolton, A. J. J., and another, Armadale, Vic. Butter-box ..	19952	31 Aug.	82	7 Sept.*
Border, A. J., Christchurch, N.Z. Advertising-figure ..	19708	10 July	71	27 July.*
Border, A. J., Christchurch, N.Z. Station-indicator ..	19709	10 July	75	10 Aug.*
Bower, D., Dunedin, N.Z. Milk-can ..	18770	18 Nov., 1904	82	7 Sept.
Bowman, J. H., and another, Wellington, N.Z. Spouting-bracket ..	19730	12 July	71	27 July.*
Bradley, A. E., and another, Christchurch, N.Z. Motor-controller for water-pump	19934	25 Aug.	88	5 Oct.
Bradley, H. G., and another, Christchurch, N.Z. Motor-controller for water-pump	19934	25 Aug.	88	5 Oct.
Braim Patent Switch Company, Limited, Vancouver, B.C. Operating street railway-switch. (W. H. Braim)	19924	23 Aug.	88	5 Oct.
Braim, W. H., Vancouver, B.C. (See Braim Patent Switch Company, Limited, No. 19924.)				
Branton, T., Blenheim, N.Z. Flax tails cleaning and washing ..	19998	4 Sept.	85	21 Sept.*
Braun, R., Manchester, Eng. (See J. P. Campbell, No. 19726.)				
Bregman, A. E., Churchill, N.Z. Saw set, gauge and stripper ..	19896	17 Aug.	85	21 Sept.
Bright, F. E., Philadelphia, U.S.A. (See Mergenthaler Linotype Company, No. 19668.)				
Bristow, C., Christchurch, N.Z. (See E. S. Baldwin and H. H. Rayward, No. 19872.)				
Brown, A., and another, Auckland, N.Z. Game ..	19995	8 Sept.
Brown, C. E. L., Baden, Switzerland. Propulsion of vessels ..	19711	13 July	78	24 Aug.
Brown, H., Wairoa, N.Z. Rain-water collection ..	19817	1 Aug.	85	21 Sept.
Brown, J. E., Christchurch, N.Z. Making metal glazing-bars ..	19907	21 Aug.	82	7 Sept.*
Brown, J. H., and another, Wellington, N.Z. Vending-machine ..	18548	5 Oct., 1904	75	10 Aug.
Brown, T. F., and others, Coburg, Vic. Studless house ..	19891	17 Aug.	82	7 Sept.*
Browne, G. J., and another, Palmerston North, N.Z. Sheet-metal working machinery	19800	27 July	78	24 Aug.*
Bruer, J. J., Adelaide, South Australia. Piano ..	20069	21 Sept.
Bryant, W. H., Wellington, N.Z. Match box filter ..	19686	6 July	71	27 July.*
Brydone, T., and others, Dunedin, N.Z. Rope-block or lifting-tackle	20013	7 Sept.	85	21 Sept.*
Burke, J. A., Dacre, N.Z. Connecting ends of chains, &c. ..	19772	21 July	71	27 July.*
Burkitt, F. A., Essendon, Vic. Tire-cover ..	19893	18 Aug.	82	7 Sept.*
Burley, H. S., Chicago, U.S.A. Sheep-shears ..	19661	3 July	75	10 Aug.
Burlton-Bennet, R. J., and another, Auckland, N.Z. Electric belt	20089	20 Sept.
Burrell, W., and another, Melbourne, Vic. Rabbit-crate ..	19150	28 Feb.	82	7 Sept.
Burton, C., and others, Wellington, N.Z. Wire-strainer ..	19931	24 Aug.	88	5 Oct.
Butler, E., and others, Collingwood, Vic. Game ..	19763	19 July	71	27 July.*
Cameron, E. A., and another, Invercargill, N.Z. Cork for bottles ..	19920	21 Aug.
Cameron, E. A., and another, Invercargill, N.Z. Travelling race ..	20112	23 Sept.
Campbell, J. P., Wellington, N.Z. Magnetic brake for railways, &c. (R. Braun)	19726	13 July	78	24 Aug.
Capner, P. J., Dookie, Vic. Adjustable spring device ..	19724	13 July	71	27 July.*
Capstick, G., Dunedin, N.Z. Ship's hull scrubber. (R. N. Adams)	19900	17 Aug.	82	7 Sept.*
Carlson, H., Dannevirke, N.Z. Hobble ..	19737	15 July	75	10 Aug.
Carroll, L. H., and others, Geelong, Vic. Flying-machine ..	19790	26 July	75	10 Aug.*
Carroll, R. M., Petone, N.Z. Pipe wrench and spanner ..	18989	25 Jan.	67	13 July.
Carter, C. H., Waikanae, N.Z. Motor ..	19943	29 Aug.	82	7 Sept.*
Chambers, E. J., Wolverhampton, Eng. Pipe for underground cable	19848	8 Aug.	82	7 Sept.
Charleston, D., Melbourne, Vic. Puncture-sealing compound ..	19710	13 July	78	24 Aug.*
Charleston, D., Melbourne, Vic. Puncture-sealing compound ..	19990	6 Sept.	88	5 Oct.
Charlton, J. R., Christchurch, N.Z. Preventing horse from kicking	20119	30 Sept.
Chisholm, J., Kalgoolie, W.A. Filter-press sluice-discharge ..	19682	5 July	75	10 Aug.
Christchurch Meat Company, Limited, Christchurch, N.Z. Securing tops of preserving-tins. (G. Anderson)	18456	16 Sept., 1904	75	10 Aug.
Christenson, A. L., Stockholm, Sweden. Centrifugal separator bowl	18107	6 July, 1903†	67	13 July.
Ciantar, H. C., and another, London, Eng. Extracting gold from water	18931	10 Jan.	75	10 Aug.
Ciantar, U., and another, London, Eng. Extracting gold from water	18931	10 Jan.	75	10 Aug.
Clark, W. E., Wellington, N.Z. Dust and draught excluder for door	19913	22 Aug.	91	19 Oct.
Clayton, C. J., and another, Christchurch, N.Z. Sole-rounding machine	19691	8 July	71	27 July.*
Clegg, A. J., Hawera, N.Z. Mail sorting and closing indicator ..	20078	22 Sept.	91	19 Oct.*

ALPHABETICAL LIST OF APPLICANTS FOR LETTERS PATENT—*continued.*

Name, Address, and Invention.	Application.		Gazette.	
	No.	Date.	No.	Date.
Clere, F. de J., Wellington, N.Z. Weatherboard	18682	1 Nov., 1904..	82	7 Sept.
Clere, F. de J., Wellington, N.Z. Window-sash	18674	29 Oct., 1904 ..	88	5 Oct.
Cobbe, H. N. G., and another, Kalgoorlie, W.A. Grinding faces for pans	19796	27 July	78	24 Aug.
Coe, J., and another, Auckland, N.Z. Soldering-iron	19910	19 Aug.	85	21 Sept.
Coe, J., and another, Auckland, N.Z. Cycle-valve connection	20056	15 Sept.
Cohn, H., and another, London, Eng. Manufacture of briquettes ..	18905	29 Dec., 1904 ..	67	13 July.
Collier, G., Christchurch, N.Z. Damper for register grate	20075	20 Sept.	88	5 Oct.*
Collison, C. N., Melbourne, Vic. Manufacture of carbon di-oxide. (J. C. Stead)	19880	15 Aug.	78	24 Aug.*
Colorado Ironworks Company, Denver, U.S.A. Vibrating screen. (N. V. Fitts and R. P. Atkins)	19667	3 July	91	19 Oct.
Compton, J. W., Kuripuni, N.Z. Vehicle-wheel lock	19679	5 July	71	27 July.*
Connell, J., Timaru, N.Z. Hill-climbing device.. ..	20116	28 Sept.
Consolidated Rubber Tire Company, Jersey City, U.S.A. Tire. (A. S. Krotz)	19257	13 April, 1904..	67	13 July.
Cook, C., Makarewa, N.Z. Shears	19692	8 July	71	27 July.*
Cook, W. E., Christchurch, N.Z. Venetian-blind cord-grip	20001	7 Sept.	85	21 Sept.*
Cooke, R. H., Melbourne, Vic. Boot-upper	19684	6 July	75	10 Aug.
Cooper, F., Christchurch, N.Z. Sheep-runner	19771	19 July
Corbett, F. J., South Yarra, Vic. (See H. Corbett, No. 19815.)				
Corbett, H., South Yarra, Vic. Siphon. (F. J. Corbett)	19815	1 Aug.	85	21 Sept.
Corcoran, D., Launceston, Tas. Measuring liquids	19865	10 August	85	21 Sept.*
Cornwall, H. G., Wellington, N.Z. Envelope and sheet of paper ..	20026	13 Sept.	85	21 Sept.*
Cotton, F., Hornsby, N.S.W. Refuse-furnace	20060	20 Sept.	91	19 Oct.
Cottrell and Sons Company, C.B., New York, U.S.A. (See W. E. Hughes, No. 19482.)				
Coughlan, M., and another, Dunedin, N.Z. Cork for bottles ..	19920	21 Aug.
Coulthurst, A., and others, Darwen, Eng. Making earthenware pipe	19635	27 June	71	27 July.
Coulthurst, H., and others, Darwen, Eng. Making earthenware pipes	19635	27 June	71	27 July.
Coulthurst, J., and others, Darwen, Eng., Making earthenware pipes	19635	27 June	71	27 July.
Cowern, F. J., Kaponga, N.Z. Mail-bag fastener	20092	26 Sept.
Coyle, W., and others, Auckland, N.Z., Safety-pin	19746	13 July	78	24 Aug.
Craig, C., Marton, N.Z. Sighting-apparatus for lifting rails	20044	16 Sept.	88	5 Oct.
Craig, R., Auckland, N.Z. Pot-stick	19871	8 August
Crawford, B., and another, Auckland, N.Z. Acetylene-lamp	20123	29 Sept.
Crawshaw, R., Christchurch, N.Z. Fire-lighter	19822	1 August	78	24 Aug.*
Croll, C. H. G., and others, Wellington, N.Z. Producer-gas generator	20108	28 Sept.	91	19 Oct.*
Crook, J., Auckland, N.Z. Raising sunken vessels	19917	19 Aug.
Crook, J., Auckland, N.Z. Broom-rack	19932	19 Aug.
Crump, J. B., Ballarat, Vic. Potato-planting attachment to plough	20094	26 Sept.	88	5 Oct.*
Danks, T., Christchurch, N.Z. Belt-shifter for pulley	19742	17 July	75	10 Aug.*
Darvall, G. W., Wellington, N.Z. Bottle-stopper, measure, and eye-bath	18602	17 Oct., 1904 ..	85	21 Sept.
Davidson, W., Kaipara, N.Z. Brake for carts, &c.	19978	1 Sept.	88	5 Oct.*
Davis, A. E., Johannesburg, Transvaal. Filter-press	19628	26 June	71	27 July.
Davis, J., Wellington, N.Z. Making oakum from tow of N.Z. flax	19734	14 July	75	10 Aug.*
Davis, J. W., Auckland, N.Z. Exposure and focus distributor	19994	8 Sept.	85	21 Sept.
Davis, T. J., and another, Fitzroy, Vic. (See Rubberised Leather and Tire Company, Limited, No. 19953.)				
Dawson, J., Wellington, N.Z. Suspension-bridge	19956	31 Aug.	82	7 Sept.*
Dawson, J. M., Ashburton, N.Z. Siphon	19199	14 March	85	21 Sept.
De Montalk, R. W., Auckland, New Zealand. Telescopic measuring rule or scale	19897	17 Aug.	82	7 Sept.*
Denison, J. G., Timaru, N.Z. Potato-digger	18774	21 Nov., 1904 ..	85	21 Sept.
Derry, E. C., and another, Christchurch, N.Z. Rough-rolling fabric	19764	19 July	71	27 July.*
Dewar, C. A., Auburn, Vic. Parcel-carrier	19960	15 Aug.†
Dewar, J. N., Leonora, W.A. Ore-feeder for stamper-battery	19989	6 Sept.	85	21 Sept.*
Diack, W., Centre Bush, N.Z. Bottle	19935	25 Aug.	88	5 Oct.*
Dickie, R. J., and another, Wellington, N.Z. Vending-machine ..	18548	5 Oct., 1904 ..	75	10 Aug.
Dignan, J., Auckland, N.Z. Castrating, &c., instrument	18767	17 Nov., 1904 ..	88	5 Oct.
Dil, W. J., Dunedin, N.Z. Bicycle roller-brake	19974	1 Sept.	85	21 Sept.*
Dixon, F. A., Albury, N.S.W. Eaves-gutter fascias	20074	21 Sept.
Dixon, P. H., Campbelltown, N.Z. Preserving oysters	19681	5 July
Don, E., Dunedin, N.Z. Boot-finishing composition	18218	23 July, 1904 ..	71	27 July.
Donald, L. S., Dunedin, N.Z. Manufacture of stockings and socks	19720	13 July
Donald, L. S., Dunedin, N.Z. Manufacture of stockings and socks	19802	28 July
Douglas, H. M., Wellington, N.Z. Loose-leaf binder	19377	20 April	88	5 Oct.
Douglas, R. R., Dunedin, N.Z. Bucket-link of dredge	19875	9 Aug.	78	24 Aug.*
Driffeld, T., and another, Wellington, N.Z. Chimney-top	19552	5 June	71	27 July.
Ducker, W. M., New York, U.S.A. Portable house	19577	7 June	71	27 July.
Dunbar, J., Invercargill, N.Z. Verandah-column	19754	11 July	75	10 Aug.*
Dunbar, J., Invercargill, N.Z. Flax-stripper attachment.. ..	19652	26 June	75	10 Aug.
Dunbar, J., Invercargill, N.Z. Grip for rake-heads, spade-handles, &c.	19778	17 July	82	7 Sept.
Dunne, R., Dunedin, N.Z. Clamp for frame-making	19776	21 July	71	27 July.*
Dunning, J., Devonport, N.Z. Butter-box	19839	3 Aug.
Easdown, R. H., Mount McDonald, N.S.W. Animal-trap	19564	7 June	71	27 July.
Edwards, F., Hawera, N.Z. Injecting air into cow's udder	19835	4 Aug.	82	7 Sept.
Edwards, W., and another, Waikino, N.Z. Window-sash	19432	5 May	75	10 Aug.
Ellen, J., Staveley, N.Z. Feeding-bottle protector	20118	30 Sept.
Elliot, E., Auckland, N.Z. Wool-washing machine	19847	4 Aug.	82	7 Sept.

ALPHABETICAL LIST OF APPLICANTS FOR LETTERS PATENT—*continued.*

Name, Address, and Invention.	Application.		Gazette.	
	No.	Date.	No.	Date.
Edwards, T., Ballarat, Vic. Ore-roasting furnace	19688	6 July ..	75	10 Aug.
Ellis, F. J. T., Waitahuna, N.Z. Post-hole digger	19729	13 July
Ellis, J. C., Melbourne, Vic. Watch and clock regulating tag ..	20072	21 Sept. ..	91	19 Oct.
Elmore, F. E., London, Eng. Separation by flotation	19864	16 Aug., 1904†
Elvines, F., and others, Wellington, N.Z. Ink-pot and penholder ..	19727	13 July ..	71	27 July.*
Elworthy, H. S., St. Albans, Eng. Manufacture of gas	19630	27 June ..	71	27 July.
Elworthy, H. S., St. Albans, Eng. Manufacture of gas	19631	27 June ..	71	27 July.
Elworthy, H. S., St. Albans, Eng. Production of nickel	19632	27 June ..	71	27 July.
Ely, M. V., and another, Wimbledon, Eng. Electric arc-lamp ..	19154	12 Mar., 1904.†	67	13 July.
England, F. G., Melbourne, Vic. Photographic washing apparatus	19949	30 Aug. ..	82	7 Sept.*
Ephraim, J. E., Darlington, N.S.W. Acetylene lamp and generator	19593	14 June ..	71	27 July.
Ericsson, A. J., Stockholm, Sweden. (See Aktiebolaget Separator, Nos. 19866 and 19868.)				
Fahey, W. H., Dunedin, N.Z. (See J. R. Park, No. 20010.)				
Fairweather, J., and others, Blenheim, N.Z. Flax-stripper	18353	20 Aug., 1904..	67	13 July.
Fairweather, W., jun., and others, Blenheim, N.Z. Flax-stripper ..	18353	20 Aug., 1904 ..	67	13 July.
Fairweather, W., sen., and others, Blenheim, N.Z. Flax-stripper ..	13353	20 Aug., 1094 ..	67	13 July.
Falkner, A., Kaipororo, N.Z. Drying perishable products	19672	4 July ..	67	13 July.*
Falls, A. L., Cambridge, N.Z. Slasher-handle fastener	20039	14 Sept. ..	91	19 Oct.
Falvey, T., Wellington, N.Z. Steam turbine	18399	3 Sept., 1904..	85	21 Sept.
Farmer, A. H., Auckland, N.Z. Steam-valve	19819	1 Aug. ..	75	10 Aug.*
Farr, F. W., Cogenhoe, Eng. Boot-heel protector	19288	12 April, 1904†	85	21 Sept.
Farra, J. F., Dunedin, N.Z. Skylight	19599	15 June ..	85	21 Sept.*
Ferguson, G. W., and another, Wangaratta, Vic. Brick-making machinery	18800	25 Nov., 1904..	82	7 Sept.
Ferguson, J. W., and another, Wangaratta, Vic. Brick-making machinery	18800	25 Nov., 1904..	82	7 Sept.
Fewell, R., Hamilton, N.Z. Door	19970	2 Sept.
Finnane, D., Auckland, N.Z. Cake and spoon rest	19870	8 Aug. ..	78	24 Aug.*
Fisher, D. R., and another, Christchurch, N.Z. Linotype machine mould wiper and cleaner	19832	2 Aug. ..	75	10 Aug.*
Fitts, N.V., and another, Denver, U.S.A. (See Colorado Ironworks Company, No. 19667.)				
Fleming, J. A., London, Eng. (See Marconi's Wireless Telegraph Company, Limited, No. 19849.)				
Fletcher, J. W., jun., Wellington, N.Z. Clothes-dryer	20006	9 Sept.
Ford, A. C., Christchurch, N.Z. Oil-drum	20103	27 Sept. ..	91	19 Oct.
Ford, A. S., Coromandel, N.Z. Ejecting liquid from one receptacle to another	20005	9 Sept.
Ford, S., and another, Dannevirke, N.Z. Production of railway- sleepers	18526	1 Oct., 1904 ..	85	21 Sept.
Fowler, J. W., Whangarei Heads, N.Z. Electric belt, &c.	18888	23 Dec., 1904 ..	67	13 July.
Fowler, J. W., Whangarei Heads, N.Z. Exit-door	20015	11 Sept. ..	88	5 Oct.*
Frame, J., Oamaru, N.Z. Motor	19888	16 Aug. ..	78	24 Aug.*
Freeman, J. S., and another, Dannevirke, N.Z. Production of railway-sleepers	18526	1 Oct., 1904 ..	85	21 Sept.
Freschl, A., Chicago, U.S.A. (See F. Barrow, No. 19736.)				
Fry, R. J., Kialla, Vic. Rabbit-trap	19735	14 July ..	71	27 July.*
Fuhrer, J., Vienna, Austria. Explosive	18961	9 Feb., 1904†	67	13 July.
Fulljames, E. V., and another, Auckland, N.Z. Acetylene-lamp ..	20123	29 Sept.
Gabites, A. G., and another, St. Albans, N.Z. Pocket flash and heater	19981	6 Sept. ..	85	21 Sept.*
Gale, J., Timaru, N.Z. Key for securing pin on traction-engine shoe	20084	22 Sept. ..	88	5 Oct.*
Gallagher, R. W., San Francisco, U.S.A. (See the Automatic Meter Company, No. 19615.)				
Gardiner, H. J., Christchurch, N.Z. Bicycle-carrier	18488	23 Sept., 1904	71	27 July.
Garland, T., Wellington, N.Z. Kettle	19906	21 Aug. ..	82	7 Sept.*
Gascoyne, F. J. W., Hastings, N.Z. Tire-protector	19731	13 July ..	82	7 Sept.*
Gentles, H., and others, Auckland, N.Z. Safety-pin	19746	13 July ..	78	24 Aug.
Gibson, A. F., Timaru, N.Z. Washing flax-fibre	18787	22 Nov., 1904..	78	24 Aug.
Gillanders, L. R., Ravensbourne, N.Z. Hydraulic motor	19786	20 July ..	78	24 Aug.
Gillette, K. C., Boston, U.S.A. Bottle-seal	19664	3 July ..	67	13 July.*
Gleeson, J. J., and another, Tikitapu, N.Z. Separating impurities from milk	18404	5 Sept., 1904	71	27 July.
Gooder, N. I., and another, Wellington, N.Z. Photographing and reproducing moving objects	19884	16 Aug. ..	78	24 Aug.*
Gordon, F. E. A., and another, Palmerston North, N.Z. Washing-fluid	20018	11 Sept.
Gordon, N. R., Melbourne, Vic. Aerial machine	19799	27 July ..	75	10 Aug.*
Graham, C. M., Dunedin, N.Z. Register-grate	19808	29 July ..	78	24 Aug.
Grainger, A. M., Oamaru, N.Z. Weed-cutting plough	19975	1 Sept.
Grainger, A. M., Oamaru, N.Z. Bird-trap	19999	5 Sept.
Grass, H., Broadford, Vic. (See W. E. Hughes, No. 20106.)				
Gray, J., Dunedin, N.Z. Fertiliser-conductor	18427	3 Sept., 1904	67	13 July.
Gray, J., Dunedin, N.Z. Seed-sower	18496	26 Sept., 1904	71	27 July.
Green, A. E., Dannevirke, N.Z. Hose-coupling	20057	19 Sept.
Griffiths, G., Birchfield, N.Z. Forming bearings of wheels, &c. ..	19996	8 Sept. ..	85	21 Sept.
Griffiths, H. T., and another, Melbourne, Vic. Package or tin for jam, &c.	19954	31 Aug. ..	82	7 Sept.*
Grofski, J. A., Christchurch, N.Z. Hydraulic ram	20076	21 Sept. ..	91	19 Oct.*
Grote, E. R., and another, Wimbledon, Eng. Electric arc-lamp ..	19154	12 Mar., 1904†	67	13 July.
Grundy, A. O., and another, Onehunga, N.Z. Sprayer	19690	7 July
Grundy, W. J., and another, Onehunga, N.Z. Sprayer	19690	7 July

ALPHABETICAL LIST OF APPLICANTS FOR LETTERS PATENT—continued.

Name, Address, and Invention.	Application.		Gazette.	
	No.	Date.	No.	Date.
Hadaway, J. B., Brockton, U.S.A. (See United Shoe Machinery Company, No. 18691.)				
Hall, F. H., Invercargill, N.Z. Hairpin	20085	20 Sept.	88	5 Oct.*
Hall, R. E., Port Levy, N.Z. Gate-fastener	20117	30 Sept.
Hall, T., and others Kaiwarra, N.Z. Ink-pot and penholder	19727	13 July	71	27 July.*
Halpin, D., London, Eng. Thermal storage for steam-generator	19946	30 Aug.	91	19 Oct.
Ham, H., Feilding, N.Z. Flax-stripper frame	20090	25 Sept.	91	19 Oct.*
Hamlin, E. A. G., Nuhaka, N.Z. Head-stall	19860	9 Aug.	78	24 Aug.*
Hannam, W. H., Sydney, N.S.W. Bath-water heater	19587	14 June	71	27 July.*
Hansen, J., Taupiri, N.Z. Gum-hook	19911	19 Aug.	91	19 Oct.
Harding, H. J. B., Grafton, N.S.W. Voting-machine	19728	13 July	85	21 Sept.
Harkness, B. G. A., Stratford, N.Z. Water-pump	18572	10 Oct., 1904	75	10 Aug.
Harper, C., and another, Fordell, N.Z. Vehicle-shafts	20025	12 Sept.	88	5 Oct.
Harrowby, A., and another, Wellington, N.Z. Wire mattress	19751	18 July	78	24 Aug.*
Harrowby, G. A., and another, Wellington, N.Z. Wire mattress	19751	18 July	78	24 Aug.*
Harvey, W., Auckland, N.Z. Pressure-block for cheese-press	20048	14 Sept.
Hatcher, E. J., and another, Dunedin, N.Z. Candle-extinguisher	19813	31 July	75	10 Aug.*
Hatcher, E. J., and another, Dunedin, N.Z. Cooking eggs by steam	20041	12 Sept.
Hatmaker, J. R., Paris, France. Milk food	19760	20 July	78	24 Aug.
Hatmaker, J. R., Paris, France. Milk food for infants, &c.	20086	21 Sept., 1904†	91	19 Oct.
Hatmaker, J. R., Paris, France. Milk food for infants, &c.	20037	21 Sept., 1904†	91	19 Oct.
Houghton, R. S., Wellington, N.Z. Kerosene-tin	20055	18 Sept.	88	5 Oct.*
Haworth, W. R., and others, Bolton, Eng. Making earthenware pipes	19635	27 June	71	27 July.*
Haydon, G. A., Auckland, N.Z. Wash up mop	19656	26 June	71	27 July.*
Hayes, A., New York, U.S.A. Liquid-vapouriser	19574	8 June	71	27 July.*
Head, J. A., and another, Lyttelton, N.Z. Burglar-alarm	20077	21 Sept.	91	19 Oct.*
Healy, L., New Plymouth, N.Z. Swingletree	19837	2 Aug.	75	10 Aug.*
Heeb, M., Port Legar, N.Z. Turbine	19940	28 Aug.	82	7 Sept.*
Hement, T. C., Christchurch, N.Z. Toasting-fork	19716	11 July
Henderson, J. B., Taringa, Queensland. Pulley-block	19941	29 Aug.	85	21 Sept.*
Henry, C., and another, Dunedin, N.Z. Candle-extinguisher	19813	31 July	75	10 Aug.*
Henry, C., and another, Dunedin, N.Z. Cooking eggs by steam	20041	12 Sept.
Henry, J., and another, St. Albans, N.Z. Pocket flask and heater	19981	6 Sept.	85	21 Sept.*
Hepworth, E., and another, Palmerston North, N.Z. Washing-fluid	20018	11 Sept.
Hercus, J., and others, Dunedin, N.Z. Flooring, lining, &c., cramp	19780	21 July	78	24 Aug.
Hercus, J., and others, Dunedin, N.Z. Food-protector for animals and birds	19873	8 Aug.	85	21 Sept.
Herrington, F., and others, San Juan, Porto Rico. (See International Cigar Machinery Company, No. 20080.)				
Hibber, C. E., Devonport, N.Z. Coin-freed machine	19707	11 July	85	21 Sept.
Hickman, J. H., Wellington, N.Z. Mitre-cutter, &c.	19803	28 July
Hill, A. B., and another, Dunedin, N.Z. Polishing-composition	19887	16 Aug.
Hill, H. J., and another, Dunedin, N.Z. Polishing-composition	19887	16 Aug.
Hinds, H. H., and another, Sydney, N.S.W. (See W. E. Hughes, No. 20106.)				
Hitchen, T., Sydney, N.S.W. Oven-door	20110	28 Sept.
Hogbacka, L. E., and another, Kaikoura, N.Z. Saw-bench and surface-planer	19966	1 Sept.
Holford, G., Onehunga, N.Z. Coupling-release	19769	20 July	71	27 July.*
Holland, J. E., Kaiapoi, N.Z. Screening gravel, &c.	19669	3 July	67	13 July.*
Holt, P., Melbourne, Vic. Street-sweeper	19810	31 July	75	10 Aug.*
Hooker, J. T., Hokitika, N.Z. Luncheon-can	19992	7 Sept.	85	21 Sept.*
Hoppe, M. A., Wellington, N.Z. Muscle-developer for fingers	20028	13 Sept.	88	5 Oct.*
Horsley, T. N., Christchurch, N.Z. Artificial stone	19583	8 June	75	10 Aug.
Hoskins, G. J., Sydney, N.S.W. (See G. and C. Hoskins, Limited, No. 19991.)				
Hoskins, Limited, G. and C., Sydney, N.S.W. Joint for locking bar-pipes. (G. J. Hoskins.)	19991	7 Sept.	88	5 Oct.
Houghton, E. M., Detroit, U.S.A. Blackleg vaccine	20081	22 Sept.
Howlin, W., Sydney, N.S.W. Operating-valves	19644	28 June	71	27 July.*
Hudson, R., Wellington, N.Z. Partitions of walls	20087	25 Sept.
Hughes, G. P., Melbourne, Vic. Wood-splitter	19509	25 May	78	24 Aug.
Hughes, H., Picton, N.Z. Funnel	19752	18 July	71	27 July.*
Hughes, W. E., Wellington, N.Z. Hand poison-layer. (H. H. Hinds and G. J. Lewis—G. Grass)	20106	28 Sept.	91	19 Oct.*
Hughes, W. E., Wellington, N.Z. Steam-distribution for locomotive. (H. Lentz and C. Bellens)	20023	12 Sept.	91	19 Oct.
Hughes, W. E., Wellington, N.Z. Steam-distribution for locomotive. (H. Lentz and C. Bellens)	20067	21 Sept.
Hughes, W. E., Wellington, N.Z. Candle or lamp holder. (H. M. Levinge)	20095	26 Sept.	91	19 Oct.*
Hughes, W. E., Wellington, N.Z. Colour-printing. (C. B. Cottrell and Son's Company—M. A. McKee)	19482	17 May	71	27 July.
Humphries, G. E., Wellington, N.Z. Scaffolding-bracket	20002	9 Sept.	85	21 Sept.*
Hunter, A. J., Auckland, N.Z. Alternating gear for septic-tank discharge	19715	8 July	82	7 Sept.
Hunter, J. T., Wellington, N.Z. Refrigerating apparatus. (M. Leblanc)	19756	19 July	85	21 Sept.
Hyams, G. H., Wanganui, N.Z. Hat-grip	19671	3 July	67	13 July.*
International Cigar Machinery Company, New York, U.S.A. Cigar machinery. (O. Tyberg, W. S. Luckett, L. Lake, H. Knight, and F. Herrington)	20080	22 Sept.
Irwin, E. A., Timaru, N.Z. Paper stand and cutter	20083	20 Sept.	88	5 Oct.*
Ivey, G. M., Napier, N.Z. Tray for gas-stove	19673	4 July	71	27 July.*

ALPHABETICAL LIST OF APPLICANTS FOR LETTERS PATENT—*continued.*

Name, Address, and Invention.	Application.		Gazette.	
	No.	Date.	No.	Date.
Jackson, J. D., Prahlan, Vic. Gas-burner for bath-heater, &c. ..	18687	3 Nov., 1904	88	5 Oct.
Jackson, J. D., Prahlan, Vic. Spark-arrester	20053	18 Sept.	88	5 Oct.*
Jackson, J. D., Prahlan, Vic. Bath-water heater	20054	18 Sept.	88	5 Oct.*
Jackson, J. H., jun., Dannevirke, N.Z. Boot	19253	24 March	78	24 Aug.
Jacobs, S., and others, Geelong, Vic. Flying-machine	19790	26 July	75	10 Aug.*
Jagger, A. F., Auckland, N.Z. Metal castings mould dresser ..	19762	17 July	71	27 July.*
Jags, W. J., Auckland, N.Z. Laundry-iron	20007	5 Sept.
Jane, H., Auckland, N.Z. Water heater	19969	30 Aug.	85	21 Sept.*
Jefferis, W. J., Waerenga, N.Z. Milking appliance	19755	19 July	71	27 July.*
Jenkins, C., and another, Auckland, N.Z. Scrubber and mop ..	20049	14 Sept.	88	5 Oct.*
Johansen, V., and another, Auckland, N.Z. Soldering-iron ..	19910	19 Aug.
Johansen, V., and another, Auckland, N.Z. Cycle-valve connection	20056	15 Sept.
Johns, E., and another, Auckland, N.Z. Pan	18086	23 June, 1904..	67	13 July.
Johns, P. T., and another, Rona Bay, N.Z. Chimney-top	19552	5 June	71	27 July.
Johns, W. F., Auckland, N.Z. Operating lift-door	18613	19 Oct., 1904..	78	24 Aug.
Johnson, C. A., and others, Bairnsdale, Vic. Spring animal-trap ..	19915	22 Aug.	82	7 Sept.*
Johnson, F., and others, Colingwood, Vic. Game	19763	19 July	71	27 July.*
Johnson, G. B., London, Eng. Sheet-metal working	19914	22 Aug.	88	5 Oct.
Johnson, W. C., and another, Old Charlton, Eng. Rock-drill ..	18610	19 Oct., 1904..	71	27 July.
Johnston, A., and another, Devonport, N.Z., scrubber and mop ..	20049	14 Sept.	88	5 Oct.*
Johnstone, T., Dunedin, N.Z. (See J. R. Park, No. 19637.)				
Jones, A. W., jun., and another, Christchurch, N.Z. Electro-medical appliance	19100	20 March	82	7 Sept.
Jones, A. W., sen., and another, Christchurch, N.Z. Electro-medical appliance	19100	20 March	82	7 Sept.
Jones, E. V., Christchurch, N.Z. Advertising device	19789	19 April	75	10 Aug.
Jones, H. H., Wellington, N.Z. Boot-polish	20073	21 Sept.
Jones, T. E., Wellington, N.Z. Hammer-fastening	19791	26 July	75	10 Aug.*
Jones, W. B., Hastings, N.Z. Spring-tine cultivator	18705	7 Nov., 1904..	82	7 Sept.
Jonson, J., Picton, N.Z. Game	20079	22 Sept.	85	5 Oct.*
Jupp, W., Foxton, N.Z. Beating bar for flax-stripper	19745	18 July	71	27 July.*
Karl, V., Rotorua, N.Z. Weed-eradicator	20016	11 Sept.
Kelly, R. D., Wellington, N.Z. Letter-envelope and telegraph form	20058	19 Sept.
Kemthorne, Prosser, and Co.'s New Zealand Drug Company, Limited, Dunedin, N.Z. Manufacture of culinary essences	20014	9 Sept.
Kennedy, W., Sutton, N.Z. Plough-lifting attachment	19976	1 Sept.	91	19 Oct.*
Keystone Office File Company, The, Christchurch, N.Z. (See J. Wilson, No. 19919.)				
Kilborn, A., Bondi, N.S.W. Milking-machine	18324	17 Aug., 1904..	67	13 July.
King, J., Wellington, N.Z. Busk-protector	19324	10 April	75	10 Aug.
King, J., Wellington, N.Z. Busk-protector	19324	10 April	75	10 Aug.*
Kinimont, A., Gisborne, N.Z. Slaughterman's tree	20091	22 Sept.	91	19 Oct.
Kirkpatrick-Picard, H. F., and others, London, Eng. Ore-concentration	19633	27 June	71	27 July.
Kirkpatrick-Picard, H. F., and others, London, Eng. Ore-concentration	19634	27 June	71	27 July.
Kirkwood, J. C. P., Wellington, N.Z. Electric arc-lamp regulator	18377	29 Aug., 1904..	67	13 July.
Kitchen, D., Feilding, N.Z. Bridle fastening	18422	7 Sept., 1904..	67	13 July.
Kjellin, F. A., Stockholm, Sweden. Electric furnace	19838	4 Aug.	82	7 Sept.
Knight, H., and others, Jersey City, U.S.A. (See International Cigar Machinery Company, No. 20080.)				
Krmpotic, D., Melb urne, Vic. Pea-shelling machine	19816	1 Aug.	75	10 Aug.*
Krotz, A. S., Springfield, U.S.A. (See Consolidated Rubber Tire Company, No. 19257.)				
Kuess, V. J., Tunis, Africa. Soap-manufacture	19958	31 Aug.	88	5 Oct.
Lake, C. C., Christchurch, N.Z. Coat-hanger	19801	26 July	75	10 Aug.*
Lake, L., and others, Brooklyn, U.S.A. (See International Cigar Machinery Company, No. 20080.)				
Lamkin, C. J., and others, Ngahauranga, N.Z. Producer gas-generator	20108	28 Sept.	91	19 Oct.*
Land, A. G., Christchurch, N.Z. Vehicle-seat	18465	20 Sept., 1904..	67	13 July.
Langdon, W., and another, Howick, N.Z. Penholder	19579	7 June	71	27 July.
Langer, C., Cydach, Wales. (See The Mond Nickel Company, Limited, Nos. 19853 and 19854.)				
Langley, J., and others, Victoria, B.C. Fire-alarm	19925	23 Aug.
Larsen, T., and another, Waikino, N.Z. Window-sash	19432	5 May	75	10 Aug.
Laugesen, W. E. L., and another, Kaikoura, N.Z. Saw-bench and surface-planer	19966	1 Sept.
Lawrence, A., and another, Christchurch, N.Z. Egg-carrier	19782	22 July	75	10 Aug.*
Lawrence, F. J., and another, Christchurch, N.Z. Egg carrier ..	19782	22 July	75	10 Aug.*
Lawrence, R. W., Dunedin, N.Z. Securing lamp-burner socket to lamp-bowl	19842	3 Aug.	75	10 Aug.*
Leblanc, M., Paris, France. (See J. T. Hunter, No. 19756.)				
Leech, J. D. L., and another, Lyttelton, N.Z. Burglar-alarm	20077	21 Sept.	91	19 Oct.*
Leighton, F. W., Auckland, N.Z. Locking device for loose-leaf ledgers	19933	22 Aug.	85	21 Sept.
Lentz, H., and another, Berlin, Germany. (See W. E. Hughes, No. 20023.)				
Lentz, H., and another, Berlin, Germany. (See W. E. Hughes, No. 20067.)				
Levinge, H. M., Okato, N.Z. (See W. E. Hughes, No. 20095.)				
Lewis, G. J., and another, Sydney, N.S.W. (See W. E. Hughes, No. 20106.)				
Lewis, K., Williamstown, Vic. Puncture-repairing compound ..	19794	27 July	75	10 Aug.*

ALPHABETICAL LIST OF APPLICANTS FOR LETTERS PATENT—continued.

Name, Address, and Invention.	Application.		Gazette.	
	No.	Date.	No.	Date.
Leyner, J. G., Denver, U.S.A. Rock-drilling engine	19962	31 Aug. ..	91	19 Oct.
Liebentritt, J. F., Sydney, N.S.W. Steam boiler	19569	7 June ..	75	10 Aug.
Lightband, H., and another, Christchurch, N.Z. Sole-rounding machine	19691	8 July ..	71	27 July.*
Lindsay, R. N. R., Auckland, N.Z. Dehorning cattle	19678	5 July ..	67	13 July.*
Lindsey, G., Sydney, N.S.W. Cask-filling appliance	19926	23 Aug. ..	88	5 Oct.
Lissington, J. A., and another, Palmerston North, N.Z. Cowl and chimney-pot	19804	29 July ..	88	5 Oct.
Littlejohn, A. I., and others, Wellington, N.Z. Wire-strainer	19931	24 Aug. ..	88	5 Oct.
Ljungstrom, B., Stockholm, Sweden. (See Aktiebolaget Separator, No. 19867.)				
Lloyd, H. J., Palmerston North, N.Z. Daylight-reflector	19758	19 July ..	78	24 Aug.
Lloyd, J., and others, Bairnsdale, Vic. Spring animal-trap	19915	22 Aug. ..	82	7 Sept.*
Locking, B., Napier, N.Z. Poison-gas generator	19909	22 Aug. ..	88	5 Oct.
Lorrett, C., Kororata, N.Z. Horse-controller	19973	31 Aug. ..	85	21 Sept.*
Louat, P. T., Waihi, N.Z. Slimes-treatment	20022	12 Sept. ..	85	21 Sept.*
Love, J. H., Auckland, N.Z. Protector for dress during riding	20003	6 Sept. ..	85	21 Sept.*
Lowe, A., Reefton, N.Z. Link of endless chain	18681	13 March ..	82	7 Sept.
Lowe, A. E., Tai Tapu, N.Z. Flower-pot	19936	25 Aug. ..	82	7 Sept.*
Lowe, G. I., Palmerston North, N.Z. Bicycle-pump	20113	30 Sept.
Lowry, R. C., Seattle, U.S.A. Truck-wheels	19666	3 July ..	75	10 Aug.
Luckett, W. S., and others, New York, U.S.A. (See International Cigar Machinery Company, No. 20080.)				
Lucy, G. W., Capetown, Cape Colony. Aerial roundabout	20051	18 Sept. ..	88	5 Oct.*
Luks, H., Wellington, N.Z. Switch-block for electric switch	19921	23 Aug. ..	82	7 Sept.*
Macalister, J., Invercargill, N.Z. Scraper for roller of ridger	19811	25 July ..	75	10 Aug.*
Macalister, J., Invercargill, N.Z. Ridger	19869	5 Aug. ..	78	24 Aug.*
Macalister, J., Invercargill, N.Z. Manure feed	20040	9 Sept. ..	88	5 Oct.*
Macdonald, T. J. A., Detroit, U.S.A. Amalgamator	19621	22 June ..	71	27 July.*
Macdougall, J., and another, Melbourne, Vic. Manufacture of hollow ware from pulp	19988	6 Sept. ..	88	5 Oct.
Macfarlane, G. T., Wollahra, N.S.W. Animal-shipping box	19047	6 Feb. ..	85	21 Sept.
Macgregor, D. S., Invercargill, N.Z. Raising and lowering curtain-poles	19701	10 July ..	71	27 July.*
MacIntosh, W. P., Annandale, N.S.W. Tobacco-lighter	20065	21 Sept.
Mackay, W., and another, Dunedin, N.Z. Treating flax	17906	11 May, 1904 ..	78	24 Aug.
Mackenzie, H. D., Levin, N.Z. Production of fibre from flax	19655	1 July ..	75	10 Aug.
Macky, J. J., Auckland, N.Z. Hairpin	19670	1 July
Madder, W., New Plymouth, N.Z. Vote-recorder	19982	6 Sept. ..	85	21 Sept.*
Maddison, W., Gisborne, N.Z. Earmarking sheep, &c.	19747	13 July ..	71	27 July.*
Maddox, H. N., Auckland, N.Z. Scourer and mop	19705	11 July ..	71	27 July.*
Maddox, H. N., Auckland, N.Z. Mop	19706	11 July ..	71	27 July.*
Madeley, O. T., Corindhap, Vic. Fruit-gatherer	18451	15 Sept., 1904 ..	75	10 Aug.*
Madeley, O. T., Corindhap, Vic. Horse-stopper	19797	27 July ..	75	10 Aug.*
Madeley, O. T., Corindhap, Vic. Rabbit-trap	19798	27 July
Madeley, O. T., Corindhap, Vic. Mail-bag fastener	19830	3 Aug. ..	75	10 Aug.*
Magnus, P., and another, North Fitzroy, Vic. (See Rubberized Leather and Tire Company, Limited, No. 19953.)				
Mahoney, J., and another, Wellington, N.Z. Spouting-bracket	19730	13 July ..	71	27 July.*
Mail, J. S., and others, Wellington, N.Z. Folding chair	20114	30 Sept. ..	91	19 Oct.*
Mallabar, H. J., Liverpool, Eng. Printing and developing photographs	20046	18 Sept. ..	88	5 Oct.*
Mander, H. F., Kimbolton, N.Z. Drilling-machine	19676	5 July ..	67	13 July.*
Marconi's Wireless Telegraph Company, Limited, London, Eng. Detecting and measuring alternating electric currents. (J. A. Fleming)	19849	8 Aug. ..	82	7 Sept.
Markey, F., and another, St. Mary's, Canada. Churn	18857	14 Dec., 1904 ..	67	13 July.
Martin, A., Dunedin, N.Z. Hat-stand	19876	9 Aug. ..	82	7 Sept.*
Martyn, D. W., Christchurch, N.Z. Saucepan	19984	5 Sept. ..	85	21 Sept.*
Mason, J., and others, Dunedin, N.Z. Rope block or lifting-tackle	20013	7 Sept. ..	85	21 Sept.*
Mathews, G., Stoke, N.Z. Brick-kiln	19963	31 Aug. ..	88	5 Oct.
Mayhew, G. S., London, Eng. Preparing and cutting veneers	19862	10 Aug. ..	85	21 Sept.
Mayhew, G. S., London, Eng. Fireproof plaster slab for building	19863	10 Aug. ..	85	21 Sept.
Mayo, B. F., Salem, U.S.A. (See United Shoe Machinery Company, No. 18751.)				
McAnulty, F. T., Lincoln, N.Z. Tine and weed cleaner for harrows, &c.	19700	10 July ..	71	27 July.*
McCallum, J., Blenheim, N.Z. Bale-band fastener	20059	19 Sept.
McCole, A., Onehunga, N.Z. Sock or stocking	20045	13 Sept.
McColl, A., Onehunga, N.Z. Repairing timber veneer	18652	21 Oct., 1904 ..	78	24 Aug.
McCubbin, J. B., North Fitzroy, Vic. Attaching broom-head to handle	19951	31 Aug. ..	82	7 Sept.*
McCullough, F., and another, Christchurch, N.Z. Rough-rolling fabric	19764	19 July ..	71	27 July.*
McCullough, W., and another, Thames, N.Z. Gold-saving table	20115	25 Sept.
McCully, H. S., Waitohi, N.Z. Plough	19937	24 Aug. ..	82	7 Sept.*
McDonald, A. M., Petone, N.Z. Egg-preserving cabinet	18398	3 Sept., 1904 ..	78	24 Aug.
McDonald, J. C., and others, Collingwood, Vic. Game	19763	19 July ..	71	27 July.*
McDonald, K., Katikati, N.Z. Measuring and delivering milk	19699	10 July ..	71	27 July.*
McDowell, N., and others, Victoria, B.C. Fire-alarm	19925	23 Aug.
McFeely, R. F., Beverly, U.S.A. (See United Shoe Machinery Company, No. 18626.)				
McGarry, J. J., Sydney, N.S.W. (See E. Resch, No. 19828.)				
McGrath, J. F., Dunedin, N.Z. Animal-cover fastening	19738	12 July ..	71	27 July.*
McGuinness, D. H. K., Wangaratta, Vic. Hand-truck	18475	22 Sept., 1904 ..	67	13 July.
McGuire, J., Melbourne, Vic. Hose-connection	19611	20 June ..	71	27 July.
McIntosh, W. J., and others, Geelong, Vic. Flying-machine	19790	26 July ..	75	10 Aug.*

ALPHABETICAL LIST OF APPLICANTS FOR LETTERS PATENT—continued.

Name, Address, and Invention.	Application.		Gazette.	
	No.	Date.	No.	Date.
McKee, M. A., New York, U.S.A. (See W. E. Hughes, No. 19482.)				
McKim, F. G., London, Eng. Pneumatic tire	19979	5 Sept.
McLean, A., Ti-tree Point, N.Z. Tire-protector	18564	8 Oct., 1904	85	21 Sept.
McLean, J. E., Dunedin, N.Z. Garment match-striker	20009	6 Sept.	91	19 Oct.*
McLeod, A., Wellington, N.Z. Smoke-consumer and heat-generator	19777	22 July	71	27 July.*
McMaster, J., Hokonui, N.Z. Safety-mouth for flax-scutter	19895	18 Aug.	78	24 Aug.*
McMeekin, W., and another, Melbourne, Vic. Rabbit-crate	19150	28 Feb.	82	7 Sept.
McNab, T., Lawrence, N.Z. Ball-and-socket joint for gas-hangings	20050	14 Sept.	88	5 Oct.*
McPhedran, D. T., Timaru, N.Z. Traction-engine shoe	19812	28 July	78	24 Aug.*
McPhedran, D. T., Timaru, N.Z. Maul-ring fastener	20008	6 Sept.	85	21 Sept.*
McQueen, D., Stratford, N.Z. Potato-peeler	19857	8 Aug.
Mellor, B. F., and another, Moonee Ponds, Vic. Plough	20020	12 Sept.
Mercer, T., Stratford, N.Z. Boot sole or sock	18635	20 Oct., 1904	85	21 Sept.
Mergenthaler Linotype Company, New York, U.S.A. Linotype machine. (F. E. Bright)	19668	3 July	75	10 Aug.
Middleton, W., and another, Kalgoorlie, W.A. Grinding faces for pans	19796	27 July	78	24 Aug.
Millar, R., Outram, N.Z. Sprayer	20082	13 Sept.	91	19 Oct.
Miller, A., Dunedin, N.Z. Surgical appliance	20100	27 Sept.	..	5 Oct.*
Miller, C., Nelson, N.Z. Game	19845	7 Aug.	78	24 Aug.*
Mitchell, A. S., and others, Wellington, N.Z. Producer gas-generator	20108	28 Sept.	91	19 Oct.*
Mitchell, E. H. J., and another, Triavunna, Tasmania. Plough	20020	12 Sept.
Mizon, W., South Melbourne, Vic. Stereoscope	19687	6 July	71	27 July.*
Mond Nickel Company, Limited, The, London, Eng. Obtaining nickel from nickel carbonyl. (C. Langer)	19853	8 Aug.	82	7 Sept.
Mond Nickel Company, Limited, The, London, Eng. Treating nickel ores. (C. Langer)	19854	8 Aug.	82	7 Sept.
Monitor Shipping Corporation, Limited, Newcastle-on-Tyne, Eng. Vessel. (W. Petersen)	19861	10 Aug.
Montalk. (See De Montalk.)				
Mooney, W. P., Christchurch, N.Z. Egg tester	19904	18 Aug.
Moorcroft, W., Coromandel, N.Z. (See J. Strathern, No. 18955.)				
Morgan, M., and others, Dannevirke, N.Z. Water-closet	19553	5 June	71	27 July.
Morran, J. M., and others, Auckland, N.Z. Safety-pin	19746	13 July
Morton, W., and others, Dunedin, N.Z. Flooring, lining, &c., cramp	19780	21 July	78	24 Aug.
Morton, W., and others, Dunedin, N.Z. Food-protector for animals and birds	19873	8 Aug.	85	21 Sept.
Morton, W., and others, Dunedin, N.Z. Turnip-thinner	19491	8 May	71	27 July.
Moses, T. R., Christchurch, N.Z. Draught and dust excluder for door	19748	17 July	75	10 Aug.*
Moss, E., Christchurch, N.Z. Coin-freed stamping-machine	18337	17 Aug., 1904	67	13 July.
Moss, E., Christchurch, N.Z. Connecting trolley with wire	19722	13 July	71	27 July.*
Moss, J. I., Abbotsford, Vic. Window-lock	19961	31 Aug.	91	19 Oct.
Murdoch, J. W., Dunedin, N.Z. Tram-line scraper	18972	16 Jan.	67	13 July.
Murphy, J., and another, Fordell, N.Z. Vehicle-shafts	20025	12 Sept.	88	5 Oct.
Nattrass, L. N., and another, Lower Hutt, N.Z. Churn	18380	30 Aug., 1904	67	13 July.
Naumkeag Buffing-machine Association. (See S. W. Winslow, No. 18689.)				
Nelson, J., Blenheim, N.Z. Inflator	19938	28 Aug.	85	21 Sept.*
Neugeschwender, J. J., Timaru, N.Z. Securing child in go-cart	19878	12 Aug.	78	24 Aug.*
Newman, B., Christchurch, N.Z. Gas-holder for lamelight purposes	19619	20 June	75	10 Aug.*
Nicholls, B. S., and others, Auckland, N.Z. High-pressure boiler	19856	8 Aug.	85	21 Sept.
Nicholls, J. H., and others, Auckland, N.Z. High-pressure boiler	19856	8 Aug.	85	21 Sept.
Nicholson, G. C., Port Albert, N.Z. Window-lock	19719	10 July	71	27 July.*
Nicholson, H. H., Pukeuri, N.Z. Bird-trap	18821	1 Dec., 1904	85	21 Sept.
Nicholson, J., Sydney, N.S.W. Separation of gold	20098	27 Sept.	91	19 Oct.
Nicholson, J., Sydney, N.S.W. Gold-saving	20099	27 Sept.	91	19 Oct.
Nielsen, N., Wellington, N.Z. Building block	18666	28 Oct., 1904	78	24 Aug.
Noedl, R. C., Woodville, N.Z. Clothes-prop	20029	13 Sept.	91	19 Oct.*
Norgrove, H., Auckland, N.Z. Collecting sand and formation of sand banks	19805	29 July	75	10 Aug.*
Norgrove, H., Auckland, N.Z. Portable boiler	19806	29 July	75	10 Aug.*
Norgrove, H., Auckland, N.Z. Steam-boiler furnace	19948	30 Aug.	82	7 Sept.*
Norris, F. M., Hunterville, N.Z. Pipe and cigarette holder	19965	1 Sept.
Northey, J., Christchurch, N.Z. Hydraulic-ram valve	19825	3 Aug.	75	10 Aug.*
Norton, F. G., Lyttelton, N.Z. Egg-carrier	19688	5 July	71	27 July.*
Novelty Tufting Company, The, Illinois, U.S.A. (See F. Barrow, No. 19736.)				
Nuttall, W. T., Dannevirke, N.Z. Branding-appliance	19827	3 Aug.	75	10 Aug.*
O'Brien, P. K., and another, Mitiamo, Vic. Moving goods	19622	22 June	71	27 July.
O'Donnell, J., Hawera, N.Z. Milk-can insect-intrusion preventer	19836	4 Aug.	75	10 Aug.*
O'Keefe, P. H., Grafton, N.S.W. Salting or corning meat	20064	21 Sept.
Olsen, F., Wellington, N.Z. Attaching trace-spreader to traces	20097	27 Sept.	88	5 Oct.*
Orr, L. A., Hukanui, N.Z. Cycle-driving gear	20111	29 Sept.	91	19 Oct.*
Owen, R. H., Wellington, N.Z. Distance-calculator for rifle shooting	18670	28 Oct., 1904	75	10 Aug.
Owen, R. H., Dunedin, N.Z. Securing match-striker to clothing	19894	18 Aug.	85	21 Sept.*
Owen, R. H., Wellington, N.Z. Ascertaining distances in range-finding	19744	17 July	78	24 Aug.
Oxley, H. H., Auckland, N.Z. Reversible brush	20004	6 Sept.	85	21 Sept.*
Palliser, F., Timaru, N.Z. Septic tank	19784	22 July	78	24 Aug.
Palmer, J. S., Wanganui, N.Z. Account-book	18522	30 Sept., 1904	67	13 July.
Palmer, T. H., Wellington, N.Z. Boat keel	20101	27 Sept.	88	5 Oct.*

ALPHABETICAL LIST OF APPLICANTS FOR LETTERS PATENT—continued.

Name, Address, and Invention.	Application.		Gazette.	
	No.	Date.	No.	Date.
Paora, O., Orakei, N.Z. Weight-raiser	19659	28 June
Paora, O., Orakei, N.Z. Cant-hook or lever	19874	9 Aug. ..	85	21 Sept.
Papworth, L. E., Wellington, N.Z. Necktie-holder	19554	5 June ..	71	27 July.*
Park, J. R., Wellington, N.Z. Envelope. (T. Johnstone).. .. .	19637	27 June ..	71	27 July.*
Park, J. R., Wellington, N.Z. Envelope-fastening. (D. Robertson)	19638	27 June ..	71	27 July.*
Park, J. R., Wellington, N.Z. Chimney. (C. Weber)	19916	22 Aug. ..	88	5 Oct.
Park, J. R., Wellington, N.Z. Brooch-pin catch. (W. H. Fahey).. .. .	20010	6 S-pt.
Park, R. P., South Melbourne, Vic. Clo-ing and locking lift-door ..	19929	23 Aug. ..	82	7 Sept.*
Park, T. W., Wellington, N.Z. Water flush	19703	11 July ..	71	27 July.*
Parker, A., Dannevirke, N.Z. Mail-bag fastener	19826	3 Aug. ..	75	10 Aug.*
Parkerson, C. P., Thames, N.Z. Receptacle for perishable condiments	18608	18 Oct., 1904 ..	75	10 Aug.
Parrish, E. J., Sydney, N.S.W. Window-sash sustainer	20043	15 Sept.
Parsons, C. A., Newcastle-on-Tyne, Eng. Valve-controlling means..	19713	13 July ..	78	24 Aug.
Parsons, C. A., Newcastle-on-Tyne, Eng. Piston-valve	19714	13 July ..	78	24 Aug.
Parsons, C. A., Newcastle-on-Tyne, Eng. Production of high vacua and cooling by evaporation	19757	19 July ..	85	21 Sept.
Paterson, J., and another, Thames, N.Z. Pan	18086	23 June, 1904..	67	13 July.
Paul, J., Wyndham, N.S.W. Gate-opener	20066	21 Sept. ..	91	19 Oct.
Payne, E. M., Christchurch, N.Z. Game	19918	21 Aug. ..	82	7 Sept.*
Payne, F. W., Dunedin, N.Z. Screw for removing and replacing bushes	19898	16 Aug. ..	88	5 Oct.
Pearson, G. C., and another, Old Charlton, Eng. Rock-drill	18610	19 Oct., 1904 ..	71	27 July.
Pearson, W. H., Dunedin, N.Z. Shot-making machine	19901	17 Aug. ..	82	7 Sept.*
Pembroke, E. L., Auckland, N.Z. Tobacco-pipe	19759	19 July
Perrott, T. H., Broken Hill, N.S.W. Lubricator	20034	14 Sept. ..	88	5 Oct.*
Petersen, C. J., and another, Christchurch, N.Z. Linotype machine mould-wiper and cleaner	19832	2 Aug. ..	75	10 Aug.*
Petersen, W., Newcastle-on-Tyne, Eng. (See Monitor Shipping Corporation, Limited, No. 19861.)
Philpott, W., Longbush, N.Z. Spreader for trace-chains	19843	3 Aug. ..	75	10 Aug.*
Picard. (See Kirkpatrick-Picard.)
Pieper, H., Liege, Belgium. Electric-machine governor	19987	6 Sept. ..	91	19 Oct.
Pilkington, W. W., and another, Wellington, N.Z. Churn	18380	30 Aug., 1904..	67	13 July.
Pintsch, J., Berlin, Germany. (See Pintsch's Patent Lighting Company, Limited, No. 20019.)
Pintsch's Patent Lighting Company, Limited, London, Eng. Inverted incandescent-gas lamp. (J. Pintsch)	20019	12 Sept. ..	91	19 Oct.
Pocock, A. C., and others, Dannevirke, N.Z. Water-closet	19553	5 June ..	71	27 July.
Pocock, R. V., Ashburton, N.Z. Plough-coulter	19721	13 July ..	71	27 July.*
Pollard, E. T., and another, London, Eng. Cigarette-machine ..	19986	6 Sept. ..	91	19 Oct.
Pomeroy, J., Invercargill, N.Z. Newspaper-file	19841	28 July ..	75	10 Aug.*
Pomeroy, J., Invercargill, N.Z. Paper-file	19971	30 Aug. ..	85	21 Sept.*
Pomeroy, J., Invercargill, N.Z. Ear-marker	19972	30 Aug. ..	85	21 Sept.*
Price, F. G., Calcutta, India. Leaking-preventer for bolt-holes ..	19685	6 July
Pritchard, G. T., and another, Wanganui, N.Z. Window-sash fastener	20030	13 Sept. ..	85	21 Sept.*
Pugh, J., Sydney, N.S.W. Consumption-cure	18697	3 Nov., 1904..	88	5 Oct.
Quertier, H., Dunedin, N.Z. Dredging-machinery	18306	11 Aug., 1904 ..	78	24 Aug.
Quertier, H., Dunedin, N.Z. Trolley-pole	19793	26 July ..	75	10 Aug.*
Quertier, H., Dunedin, N.Z. Tram-rail cleaner	19831	3 Aug. ..	82	7 Sept.
Quertier, H., Dunedin, N.Z. Trolley-pole	19840	5 Aug. ..	75	10 Aug.*
Quertier, H., Dunedin, N.Z. Trolley-wheel	19886	16 Aug. ..	78	24 Aug.*
Quicke, W. G., Invercargill, N.Z. Flooring-cramp	19939	28 Aug.
Quin, W., Wellington, N.Z. Receipt and cheque form	18408	6 Sept., 1904..	67	13 July.
Rains, E., Dannevirke, N.Z. Race-starting barrier	19749	18 July ..	71	27 July.*
Ramsay, A., Crookston, N.Z. Heel-plate for boot	19809	29 July
Rand, T., and another, Kew, Vic. Butter-box	19952	31 Aug. ..	82	7 Sept.*
Rask, C., and another, Invercargill, N.Z. Travelling-race.. .. .	20112	23 Sept.
Rawhiti, T. T., Hamilton, N.Z. Jack for wagons, &c.	19704	11 July ..	71	27 July.*
Ray, F., East Orange, U.S.A. (See Henry R. Worthington, No. 20027)	20033
Raymond, F. V., Invercargill, N.Z. Clothes-peg	19694	29 June ..	71	27 July.*
Raymond, F. V., Invercargill, N.Z. Clothes-peg	19695	1 July ..	71	27 July.*
Rayward, H. H., and another, Wellington, N.Z. Seed-sower conductor-tube. (C. Bristow.)	19872	11 Aug. ..	78	24 Aug.*
Redrup, C. B., and another, London, Eng. Gas engine	19662	3 July
Regenerated Cold-air Company, Boston, U.S.A. Treating air. (F. White)	20107	28 Sept.
Reichel, L. T., Wellington, N.Z. Wind and water motor	18640	21 Oct., 1904 ..	82	7 Sept.
Reid, A., Whangamomona, N.Z. Hook for reins, &c.	19514	25 May ..	85	21 Sept.
Reid, A., Whangamomona, N.Z. Hook for reins, &c.	19983	6 Sept. ..	88	5 Oct.
Resch, E., Sydney, N.S.W. Bottle-clip. (J. J. McGarry)	19828	3 Aug. ..	82	7 Sept.
Richard, G. C. J., Sydney, N.S.W. Collapsible gate	19732	13 July
Richard, G. C. J., Sydney, N.S.W. Collapsible gate	19882	15 Aug. ..	85	21 Sept.
Richards, P. B., Melbourne, Vic. (See A. Troup, No. 19765.)
Richards, W. A., and another, London, Eng. Gas engine	19662	3 July
Richardson, C. J. R., Invercargill, N.Z. Railway-rails	19944	29 Aug. ..	85	21 Sept.*
Richardson, C. J. R., Invercargill, N.Z. Venetian-blind tape ..	19945	29 Aug. ..	82	7 Sept.*
Richardson, F., and another, St. Mary's, Canada. Churn	18857	14 Dec., 1904 ..	67	13 July.
Rigby, E. J., Malvern, Vic. Rock-drill	19852	8 Aug. ..	78	24 Aug.*
Rigby, E. J., and others, Malvern, Vic. Steel-bar manufacture ..	20070	21 Sept. ..	88	5 Oct.*
Rigby, E. J., and another, Melbourne, Vic. Supplying water to rock-drill	20105	28 Sept. ..	91	19 Oct.*

ALPHABETICAL LIST OF APPLICANTS FOR LETTERS PATENT—continued.

Name, Address, and Invention.	Application.		Gazette.	
	No.	Date.	No.	Date.
Rigden, J. H., Opuā, N.Z. Steam-engine	19814	28 July ..	75	10 Aug.*
Rigg, J., Invercargill, N.Z. Book-support	19779	18 July ..	75	10 Aug.*
Ritchie, T., Grasmere, N.Z. Stop-cock	19693	28 June ..	71	27 July.*
Roberts, J. H., Waipiata, N.Z. Swingle-tree and equalising bar-connection	20011	6 Sept. ..	85	21 Sept.*
Roberts, J. H., Waipiata, N.Z. Plough-chain connecting hook	20012	6 Sept. ..	85	21 Sept.*
Robertshaw, F. E., Grey Lynn, N.Z. Venetian blind	19609	16 June ..	71	27 July.*
Robertson, C. Half moon Bay, N.Z. Book-binder	19519	26 May ..	85	21 Sept.*
Robertson, D., Dunedin, N.Z. Game	19788	25 July ..	75	10 Aug.*
Robertson, D., Wellington, N.Z. (See J. R. Park, No. 19638.)				
Robertson, J., and another, Auckland, N.Z. Non-refillable bottle ..	20047	14 Sept.
Robinson, J., and another, Laverton, Vic. Tire	19677	5 July ..	75	10 Aug.*
Robinson, S. N., and another, Christchurch, N.Z. Shirt	19725	11 July
Rogers, A. W., Beverly, U.S.A. (See S. W. Winslow, No. 18689.)				
Ross, H. E., Sydney, N.S.W. Ship's hull	19219	16 March ..	67	13 July.
Rouse, T., and another, London, Eng. Manufacture of briquettes	18905	29 Dec., 1904 ..	67	13 July.
Rubberised Leather and Tire Company, Limited, Melbourne, Vic. Preparing leather. (P. Magnus and T. J. Davis)	19953	31 Aug.
Rudkins, T. P., and another, Mitiamo, Vic. Moving goods	19622	22 June ..	71	27 July.
Russell, J., Christchurch, N.Z. Cask-head former	18603	17 Oct., 1904 ..	75	10 Aug.
Rustige, F. J. H., S'ockholm, S'weden. (See Aktiebolaget Lux, Limited, No. 19855.)				
Rutherford, T. H., Manaia, N.Z. Toasting-fork	19908	21 Aug. ..	85	21 Sept.*
Ryan, M., Greymouth, N.Z. Gold-saving apparatus	18434	9 Sept., 1904 ..	75	10 Aug.
Ryan, M., Greymouth, N.Z. Gold-saving plush	18576	11 Oct., 1904 ..	75	10 Aug.
Sargood, W. E., Dunedin, N.Z. Boot	19903	18 Aug. ..	88	5 Oct.
Scarr, J. S., Hobart, Tasmania. Vermin-trap	20031	14 Sept. ..	88	5 Oct.*
Scarr, J. S., Hobart, Tasmania. Portable bed	20032	14 Sept. ..	88	5 Oct.*
Scherer, A., Mangatoki, N.Z. Manure and seed sower	18742	15 Nov., 1904 ..	78	24 Aug.
Schmidt, W., Wilhelmshohe, Germany. Packing-ring for slide valve	19761	20 July ..	82	7 Sept.
Schmidt, W., Wilhelmshohe, Germany. Locomotive-boiler	19767	20 July ..	82	7 Sept.
Schmidt, W., Wilhelmshohe, Germany. Marine and locomotive boiler	19768	20 July ..	82	7 Sept.
Schmidt, W., Wilhelmshohe, Germany. Superheater for boiler	19829	3 Aug. ..	82	7 Sept.
Schmidt, W. S. D., Auckland, N.Z. Boot sole and protector	19526	29 May ..	82	7 Sept.
Schmitt, A. J. G., Clevedon, N.Z. Game	19674	4 July ..	71	27 July.*
Schou, P., Copenhagen, Denmark. Thrust-bearings for shafts	19930	24 Aug. ..	88	5 Oct.
Schuckar, H., Berlin, Germany. Paper-file	19859	9 Aug. ..	82	7 Sept.
Scott, G., Halswell, N.Z. Injecting air into cow's udder	20104	27 Sept.
Scott, G. M., Dunedin, N.Z. Sash-hanger	19792	26 July ..	78	24 Aug.
Scott, H. G., Sydney, N.S.W. Water-regulator for acetylene-generator	19885	16 Aug. ..	78	24 Aug.*
Shadgett, W., and another, Penrose, N.Z. Electric belt	20089	20 Sept.
Sharpe, J., Glebe, N.S.W. Wire suspender for bottles	20068	21 Sept.
Shelton, F. J., Wellington, N.Z. Valve	20017	11 Sept. ..	91	19 Oct.
Shelton, F. J., Wellington, N.Z. Acetylene-gas iron	20063	20 Sept.
Shepherd, J., Greymouth, N.Z. Water-gauge for steam boiler	18425	5 Sept., 1904 ..	78	24 Aug.
Sherman, D. F., New Castle, U.S.A. Preserving fruit	19640	27 June ..	71	27 July.
Sibley, R. H. G., and another, Auckland, N.Z. Game	19995	8 Sept.
Simmonds, W. P., Wellington, N.Z. Music-teaching device	19680	5 July ..	71	27 July.*
Sinclair, M., Dunedin, N.Z. Drainage pipe	20000	6 Sept. ..	88	5 Oct.
Skeates, T. S., Devonport, N.Z. Tire-cover	19580	7 June ..	71	27 July.*
Sloper, C., and another, Timaru, N.Z. Cutting and washing lamb, &c., paunches	19858	8 Aug. ..	82	7 Sept.*
Sloper, C., and another, Timaru, N.Z. Drive for hydro-extractor	19905	21 Aug. ..	82	7 Sept.*
Smail, J., Port Chalmers, N.Z. Heating-system for buildings	19739	12 July ..	71	27 July.*
Smith, C. B., Dunedin, N.Z. Counter-sales book	19899	16 Aug. ..	85	21 Sept.
Smith, C. B., Dunedin, N.Z. Rolling spheres from crude material	20086	21 Sept. ..	88	5 Oct.*
Smith, F. W., Rangiwahia, N.Z. Fruit-gatherer	20035	14 Sept. ..	88	5 Oct.*
Smith, G., Melbourne, Vic. Erasing impression from phonograph record	19723	13 July ..	71	27 July.*
Smith, S., Christchurch, N.Z. Sandal	19980	4 Sept.
Solomon, D., and others, Melbourne, Vic. Studless house	19891	17 Aug. ..	82	7 Sept.*
Solomon, J., and others, Melbourne, Vic. Studless house	19891	17 Aug. ..	82	7 Sept.*
Southouse, R., and another, Sydney, N.S.W. Hollow-ware manufacture	19988	6 Sept. ..	88	5 Oct.
Spencer, W., Riverton, N.Z. Toasting-device	19702	10 July ..	71	27 July.*
Sprey, E., Christchurch, N.Z. Spring hook-and-eye	19741	13 July ..	82	7 Sept.
Stanton, W. J., and others, Wellington, N.Z. Folding chair	20114	30 Sept. ..	91	19 Oct.*
Stead, J. C., London, Eng. (See C. N. Collison, No. 19880.)				
Stebbing, H., Auckland, N.Z. Post and letter card	20061	20 Sept. ..	88	5 Oct.*
Steele, E. G., and others, Dallas, U.S.A. Concentrating-table	19613	20 June ..	71	27 July.
Steele, E. G., and others, Dallas, U.S.A. Di-electric separator	19614	20 June ..	71	27 July.
Steele, W. L., and others, Dallas, U.S.A. Concentrating-table	19613	20 June ..	71	27 July.
Steele, W. L., and others, Dallas, U.S.A. Di-electric separator	19614	20 June ..	71	27 July.
Stevenson, G. S., Gore, N.Z. Ratchet-wrench	19643	24 June ..	71	27 July.*
St. George, L. E., Wellington, N.Z. Chimney-pot	19818	1 Aug. ..	75	10 Aug.
Still, P., and others, Wellington, N.Z. Wire strainer	19931	24 Aug. ..	88	5 Oct.
Stocks, W., and another, Carlton, Vic. Tire	19677	5 July ..	75	10 Aug.*
Stokes, W., jun., and another, Christchurch, N.Z. Motor	19223	20 March ..	78	24 Aug.
Stokes, W., jun., and another, Christchurch, N.Z. Motor	19846	17 May ..	82	7 Sept.
Storie, P. H., and others, Wellington, N.Z. Folding chair	20114	30 Sept. ..	91	19 Oct.*
Strathern, J., Auckland, N.Z. Water-power winding appliance. (W. Moorcraft)	18955	10 Jan. ..	78	24 Aug.
Stringfellow, C., Auckland, N.Z. Button-hook	18411	6 Sept., 1904 ..	75	10 Aug.

ALPHABETICAL LIST OF APPLICANTS FOR LETTERS PATENT—continued.

Name, Address, and Invention.	Application.		Gazette.	
	No.	Date.	No.	Date.
Stuart, R. W., Sydney, N.S.W. (See A. J. Way, No. 19834.)				
Suckling, J. H., and another, Christchurch, N.Z. Motor ..	19223	20 March ..	78	24 Aug.
Suckling, J. H., and another, Christchurch, N.Z. Motor ..	19846	17 May ..	82	7 S. pt.
Sulman, H. L., and others, London, Eng. Ore-concentration ..	19634	27 June ..	71	27 July.
Sulman, H. L., and others, London, Eng. Ore-concentration ..	19633	27 June ..	71	27 July.
Sutton, H. M., and others, Dallas, U.S.A. Concentrating-table ..	19613	20 June ..	71	27 July.
Sutton, H. M., and others, Dallas, U.S.A. Di-electric separator ..	19614	20 June ..	71	27 July.
Tait, R., jun., and another, Wellington, N.Z. Photographing and reproducing moving objects	19884	16 Aug. ..	78	24 Aug.*
Taylor, A., and others, Victoria, B.C. Fire-alarm ..	19925	23 Aug.
Taylor, E., Brisbane, Queensland. Siphon ..	19922	23 Aug., 1885 ..	85	21 Sept.
Theobald, J., Eltham, N.Z. Shaft-tug ..	18458	17 Sept., 1904 ..	71	27 July.
Thode, E. I. F., Auckland, N.Z. Groceries reminder ..	19892	15 Aug.
Thomsen, H. C., Waingawa, N.Z. Cocksfoot-thresher ..	19770	20 July ..	71	27 July.*
Thurgar, E. W., Auckland, N.Z. Harness-buckle ..	20096	23 Sept. ..	88	5 Oct.*
Tippet, E., Normanby, N.Z. Cream-separator ..	19977	4 Sept.
Toft, J. M., Drury, N.Z. Horse-collar ..	19371	19 April ..	75	10 Aug.
Tompkins, H. J., Dunedin, N.Z. Flushing-cistern ..	19775	21 July ..	71	27 July.*
Toms, E., and another, Palmerston North, N.Z. Sheet-metal working machinery	19800	27 July ..	78	24 Aug.*
Trall, J. C., Malvern, Vic. Safety-pin ..	19551	5 June ..	71	27 July.
Trehwella, B., and another, Trentham, Vic. Lever-jack ..	18435	6 Sept., 1904 ..	75	10 Aug.
Trehwella, W., and another, Trentham, Vic. Lever-jack ..	18435	6 Sept., 1904 ..	75	10 Aug.
Triggs, P. S., London, Eng. Disintegrating machine ..	19766	20 July ..	82	7 Sept.
Troup, A., Melbourne, Vic. Shower-bath. (P. B. Richards)	19765	20 July ..	71	27 July.*
Troup, A., Melbourne, Vic. Shower-bath ..	19950	31 Aug. ..	82	7 Sept.*
Troup, J., Christchurch, N.Z. Bag-printing machine ..	19997	8 Sept. ..	88	5 Oct.
Tucker, J. W., Christchurch, N.Z. Tap ..	19718	10 July ..	71	27 July.*
Turgeon, T. N., Wellington, N.Z. Needle. (C. A. Wellington)	19795	27 July
Turner, A. A., and another, Tikitapu, N.Z. Separating impurities from milk	18404	5 Sept, 1904 ..	71	27 July.
Tyberg, O., and others, Point Loma, U.S.A. (See International Cigar Machinery Company, No. 20080.)				
Underwood, C. H., and others, Bairnsdale, Vic. Spring animal-trap	19915	22 Aug. ..	82	7 Sept.*
United Shoe Machinery Company, Paterson, U.S.A. Pounding-up machine. (R. F. McFeely)	18626	20 Oct., 1904 ..	71	27 July.
United Shoe Machinery Company, Paterson, U.S.A. Sole leveling and pressing-machine. (E. E. Winkley)	18690	3 Nov., 1904 ..	82	7 Sept.
United Shoe Machinery Company, Paterson, U.S.A. Welt-operating machine. (J. B. Hadaway)	18691	3 Nov., 1904 ..	82	7 Sept.
United Shoe Machinery Company, Paterson, U.S.A. Nail-driving machine. (W. R. Barclay and A. Bates)	18752	16 Nov., 1904 ..	82	7 Sept.
United Shoe Machinery Company, Paterson, U.S.A. Trimming and concaving heels. (B. F. Mayo)	18751	16 Nov., 1904 ..	88	5 Oct.
Urquhart, D., and another, Timaru, N.Z. Cutting and washing sheep and lamb paunches	19858	8 Aug. ..	82	7 Sept.*
Urquhart, D., and another, Timaru, N.Z. Drive for hydro-extractor	19905	21 Aug. ..	82	7 Sept.*
Vader, C. J., and another, Annandale, N.S.W. Piano-door ..	19985	6 Sept. ..	88	5 Oct.
Vivian, T., Auckland, N.Z. Pumice-treatment ..	19733	10 July ..	71	27 July.*
Wagstaff, F. W., and another, Howick, N.Z. Penholder ..	19579	7 June ..	71	27 July.
Walden, W. G., and another, Christchurch, N.Z. Shirt ..	19725	11 July
Wales, R., Dunedin, N.Z. Franking-machine ..	17822	21 April, 1904 ..	71	27 July.
Wales, R., Dunedin, N.Z. Mitre-box and frame clamp ..	19740	12 July ..	71	27 July.*
Wales, R., Dunedin, N.Z. Cramp and mitre-box ..	19781	21 July ..	82	7 Sept.*
Walker, J. A., Devonport, N.Z. Billiard and dining table ..	19193	9 March ..	82	7 Sept.
Walker, W. E., Dunedin, N.Z. Ventilating sash ..	18644	19 Oct., 1904 ..	82	7 Sept.
Wallett, W. J., Durban, Natal. Lock-nut ..	19883	15 Aug. ..	85	21 Sept.
Ward, E. G., Christchurch, N.Z. Dust-excluder for doors ..	19783	22 July ..	82	7 Sept.*
Ward, J. J., Wairau, N.Z. Wire-tightener ..	18785	24 Nov., 1904 ..	85	21 Sept.
Warden, C., jun., Waimahaka, N.Z. Spreader ..	19753	5 July
Warry, J., and another, Birmingham, Eng. Incandescent gas-burner	18737	18 July, 1904 ..	78	24 Aug.
Watson, J., Wellington, N.Z. Fire-proof walls, &c. ..	19785	24 July
Watson, J., Wellington, N.Z. Metal-lathing ..	19821	2 Aug. ..	82	7 Sept.
Watson, J., and another, Dunedin, N.Z. Treating flax ..	17906	11 May, 1904 ..	78	24 Aug.
Watson, T. W., Wellington, N.Z. Temperature-governor ..	19928	23 Aug.
Watt, J., Balclutha, N.Z. Utilising heat from lamp ..	18221	27 July, 1904 ..	67	13 July.
Waugh, C. J., Fairfax, N.Z. Steam valve ..	19823	2 Aug. ..	78	24 Aug.*
Way, A. J., Wellington, N.Z. Gas burner. (R. W. Stuart)	19834	4 Aug. ..	75	10 Aug.*
Weaver, J. L., Boise, U.S.A. Placer-mining ..	19750	18 July ..	78	24 Aug.
Webber, A., and others, Dannevirke, N.Z. Water-closet ..	19553	5 June ..	71	27 July.
Weber, C., Chicago, U.S.A. (See J. R. Park, No. 19916.)				
Weingott, H., Sydney, N.S.W. Waterproof and other coat ..	19959	31 Aug. ..	82	7 Sept.*
Wellington, C. A., Vancouver, B.C. (See T. N. Turgeon, No. 19795.)				
Wemyss, D., jun., and another, Blenheim, N.Z. Earth-closet ..	19820	31 July
Wemyss, J., and another, Blenheim, N.Z. Earth-closet ..	19820	31 July
Westmoreland, G., Gisborne, N.Z. Sash-balance ..	19807	29 July
Weston, R., Christchurch, N.Z. Cycle-pedal strap ..	19689	5 July ..	71	27 July.*
Whelan, T. J., Hawthorn, Vic. ..	20102	27 Sept. ..	91	19 Oct.*
White, F., Boston, U.S.A. (See Regenerated Cold Air Company, No. 20107.)				

ALPHABETICAL LIST OF APPLICANTS FOR LETTERS PATENT—continued.

Name, Address, and Invention.	Application.		Gazette.	
	No.	Date.	No.	Date.
White, G. E., Auckland, N.Z. Corset	19844	7 Aug. ..	78	24 Aug.*
White, G. H., Rakais, N.Z. Ticket-holder	19717	10 July ..	71	27 July.*
White, R. H., and another, Wanganui, N.Z. Window-sash fastener	20030	13 Sept. ..	85	21 Sept.*
Whitney, A. N., Melbourne, Vic. Ship	19675	25 May ..	71	27 July.
Wigley, P., and another, Birmingham, Eng. Incandescent gas-burner	18737	18 Jul ^y , 1904 ..	78	24 Aug.
Williams, H. B., Dunedin, N.Z. Tire-protector.. .. .	19877	9 Aug. ..	85	21 Sept.*
Williams, W. F., London, Eng. Raising and lowering railway windows	19850	8 Aug. ..	85	21 Sept.
Wilson, A. B., Brisbane, Queensland. Rotary engine	20052	18 Sept. ..	88	5 Oct.*
Wilson, H., and others, St. Kilda, Vic. Steel bar manufacture	20070	21 Sept. ..	88	5 Oct.*
Wilson, J., Christchurch, N.Z. Cover for letter-file	19919	21 Aug. ..	82	7 Sept.*
Wilson, R., Dunedin, N.Z. Street-cleaner, and cart-filler	19993	2 Sept. ..	88	5 Oct.*
Winkley, E. E., Lynn, U.S.A. (See United Shoe Machinery Company, No. 18690.)				
Winslow, S. W., Beverly, U.S.A. Buffing-machine (Naumkeag Buffing-machine Association.) (A. W. Rogers)	18689	3 Nov., 1904 ..	82	7 Sept.
Winter, F. A., Sydney, N.S.W. Cutting dovetail mortices	19923	23 Aug. ..	91	19 Oct.
Withers, A. A., Balaclava, Vic. Tire-inflator	19333	3 Aug. ..	82	7 Sept.*
Wohle, S., London, Eng. Wool-scouring detergent	19665	3 July ..	75	10 Aug.
Wolf, J. D., London, Eng. Separation of metals from ores	19890	17 Aug. ..	85	21 Sept.
Wolf, F., and others, Wellington, N.Z. Inkpot and penholder	19727	13 July ..	71	27 July.*
Womersley, S. F., Traralgon, Vic. Butter weigher and packer	19839	17 Aug. ..	78	24 Aug.*
Wood, E. A. Birmingham, Eng. Incandescent gas-lighting	19712	13 July ..	78	24 Aug.
Worthington, Henry R., New York, U.S.A. Centrifugal pump. (F. Ray)	20027	13 Sept. ..	91	19 Oct.
Worthington, Henry R., New York, U.S.A. Centrifugal turbine-pump. (F. Ray)	20033	14 Sept. ..	91	19 Oct.
Yarrow, M., and others, Bolton, Eng. Making earthenware pipes..	19635	27 June ..	71	27 July.

Alphabetical List of Inventions for Quarter ending 30th September, 1905.

THIS list includes also (1) applications lodged prior to but gazetted during the quarter, (2) complete specifications following provisional specifications accepted and gazetted during the quarter. Where the number and date of the Gazette are omitted, the application has not yet been accepted.

* Denotes a provisional specification. † Denotes a prior date under section 106 of "The Patents, Designs, and Trade Marks Act, 1839."

Invention.	Name.	Application.		Gazette.	
		No.	Date.	No.	Date.
Abdominal support	J. King	19324	10 April	75	10 Aug.*
Account-book	J. S. Palmer	18522	30 Sept., 1904	75	10 Aug.
Acetylene-gas lamp and generator	J. E. Ephraim	19593	14 June ..	67	13 July.
Acetylene-generator	H. G. Scott	19885	16 Aug. ..	71	27 July.
Acetylene-generator	E. P. Andreas	20038	14 Sept. ..	78	24 Aug.*
Acetylene-generator	C. H. Bissaker	20071	21 Sept.
Acetylene-lamp	E. V. Fulljames and B. Crawford	20123	29 Sept.
Advertising-device	E. V. Jones	19789	19 April
Advertising-figure	A. J. Border	19708	10 July ..	75	10 Aug.
Aerial machine	N. R. Gordon	19799	27 July ..	71	27 July.*
Air steriliser and injector into cow's udder	F. Edwards	19799	27 July ..	75	10 Aug.*
Air, Treating	Regenerated Cold Air Company ..	19835	4 Aug. ..	82	7 Sept.
Alarm. (See Burglar-alarm, Fire-alarm.)		20107	28 Sept.
Alley-way or travelling-race	C. Rask, and E. A. Cameron	20112	23 Sept.
Amalgamator	T. J. A. Macdonald	19621	22 June ..	71	27 July.
Animal-cover fastening	J. F. McGrath	19738	12 July ..	71	27 July.*
Animal-shipping box	G. T. Macfarlane	19047	6 Feb. ..	85	21 Sept.
Animal-trap	C. A. Johnson, J. Lloyd, and C. H. Underwood	19915	22 Aug. ..	82	7 Sept.*
Antimony from ores, Extracting	R. M. Aitken	19603	16 June ..	78	24 Aug.
Artificial-stone manufacture	T. N. Horsley	19583	8 June ..	75	10 Aug.
Bag-printing machine	J. Troup	19997	8 Sept. ..	88	5 Oct.
Bag. (See Mail-bag.)					
Bagatelle-playing apparatus	E. M. Payne	19918	21 Aug. ..	82	7 Sept.*
Bale-band fastener	J. McCallum	20059	19 Sept.
Bath. (See Eye-bath, Shower-bath.)					
Battery, Ore-feeder for	J. N. Dewar	19989	6 Sept. ..	85	21 Sept.*
Bearings for revolving-shafts	P. Schou	19930	24 Aug. ..	88	5 Oct.
Bearings of wheels	G. Griffiths	19996	8 Sept. ..	85	21 Sept.
Beating-bar for flax-stripper	W. Jupp	19745	18 July ..	71	27 July.*
Bed and chair combined	J. F. Bentley	19787	20 July ..	78	24 Aug.*
Bed, Portable	J. S. Scarr	20032	14 Sept. ..	88	5 Oct.*
Belt. (See Electric belt, Pulley-belt.)					

ALPHABETICAL LIST OF INVENTIONS—*continued.*

Invention.	Name.	Application.		Gazette.	
		No.	Date.	No.	Date.
Bicycle-brake	W. J. Dil	19974	1 Sept. ..	85	21 Sept.*
Bicycle-carrier attachment	H. J. Gardiner	18488	23 Sept., 1904	71	27 July.
Bicycle-pump	G. I. Lowe	20113	30 Sept.
Bicycle. (See also Cycle.)					
Bill-delivery mechanism for meter	The Automatic Meter Company	19615	20 June ..	71	27 July.
Billiard and dining table combined	J. A. Walker	19193	9 March ..	82	7 Sept.
Binder. (See Book-binder.)					
Bird-trap	H. H. Nicholson	18821	1 Dec., 1904	85	21 Sept.
Bird trap	A. M. Grainger	19999	5 Sept.
Blacking	H. H. Jones	20073	21 Sept.
Blackleg vaccine	E. M. Houghton	20081	22 Sept.
Blind. (See Venetian blind.)					
Block. (See Building-block, Pulley-block, Rope-block, Switch-block.)					
Boat-keel	T. H. Palmer	20101	27 Sept. ..	88	5 Oct.*
Boiler. (See Gas-heated boiler, Gas-range boiler, High-pressure boiler, Hot-water boiler, Locomotive-boiler, Marine boiler, Portable boiler, Steam boiler.)					
Book-binder	C. Robertson	19519	26 May ..	85	21 Sept.*
Book-binder, Loose-leaf	H. M. Douglas	19377	20 April ..	88	5 Oct.
Book. (See also Account-book, Counter-sales-book.)					
Book-support	J. Rigg	19779	18 July ..	75	10 Aug.*
Boot	W. E. Sargood	19903	18 Aug. ..	88	5 Oct.
Boot	J. H. Jackson, jun.	19253	24 March ..	78	24 Aug.
Boot	E. Don	18218	23 July, 1904	71	27 July.
Boot-finishing composition	A. Ramsay	19809	29 July
Boot-heel plate	F. W. Farr	19288	12 April, 1904†	85	21 Sept.
Boot-heel protector	United Shoe Machinery Company	18691	3 Nov., 1904	82	7 Sept.
Boot or shoe, Operating welt on	H. H. Jones	20073	21 Sept.
Boot-polish	J. Bell	19851	8 Aug. ..	78	24 Aug.*
Boot-repairing jack	T. Mercer	18635	20 Oct., 1904	85	21 Sept.
Boot-sole, or sock	W. S. D. Schmidt	19526	29 May ..	82	7 Sept.
Boot sole and protector	R. Bayley	20088	25 Sept. ..	91	19 Oct.
Boot-sole attachment	R. H. Cooke	19634	6 July ..	75	10 Aug.
Boot-upper	W. Diack	19935	25 Aug. ..	88	5 Oct.*
Bottle	E. Resch	19828	3 Aug. ..	82	7 Sept.
Bottle-clip					
Bottle. (See Feeding-bottle, Non-refillable-bottle.)					
Bottle-seal	K. C. Gillette	19664	3 July ..	67	13 July.*
Bottle-stopper and eye-bath	G. W. Darvall	18602	17 Oct., 1904	85	21 Sept.
Bottles, Wire suspender for	J. Sharpe	20068	21 Sept.
Box. (See Animal-shipping-box, Butter-box, Feed-box, Match-box, Mitre-box.)					
Braces	A. H. Baskiville	20093	26 Sept. ..	91	19 Oct.
Bracket. (See Scaffolding-bracket, Spouting-bracket.)					
Brake. (See Bicycle-brake, Cart-brake, Railway-brake.)					
Brand, Meat	M. Belk	18672	27 Jan. ..	71	27 July.
Branding appliance	W. T. Nuttall	19827	3 Aug. ..	75	10 Aug.*
Brick-kiln	G. Mathews	19963	31 Aug. ..	88	5 Oct.
Brick-making machine	J. W. and G. W. Ferguson	18800	25 Nov., 1904	82	7 Sept.
Bridge, Suspension	J. Dawson	19356	31 Aug. ..	82	7 Sept.*
Bridle-fastening	D. Kitchen	18422	7 Sept., 1904	67	13 July.
Briquettes, Manufacture of	T. Rouse and H. Cohn	18905	29 Dec., 1904	67	13 July.
Brooch-pin catch	J. R. Park	20010	6 Sept.
Broom, or brush, Rotating	H. H. Oxley	20004	6 Sept. ..	85	21 Sept.*
Broom-rack	J. Crook	19932	19 Aug.
Bucket-link, Dredge	R. R. Douglas	19875	9 Aug. ..	78	24 Aug.*
Buckle-tongue, Detaching from strap	E. W. Thurgar	20096	23 Sept. ..	88	5 Oct.*
Buffer-coupling hook	G. Holford	19769	20 July ..	71	27 July.*
Buffing-machine	S. W. Winslow	18689	3 Nov., 1904	82	7 Sept.
Building-block	N. Nielsen	18666	28 Oct., 1904	78	24 Aug.
Building-block compound	S. Ford and J. S. Freeman	18526	1 Oct., 1904	85	21 Sept.
Buildings, Heating system for	J. Smail	19739	12 July ..	71	27 July.*
Building slab, Fireproof	G. S. Mayhew	19863	10 Aug. ..	85	21 Sept.
Burglar-alarm	J. A. Head and J. D. L. Leech	20077	21 Sept. ..	91	19 Oct.*
Burner. (See Gas-burner, Incandescent-burner, Lamp-burner.)					
Bushes, Removing and replacing	F. W. Payne	19898	16 Aug. ..	88	5 Oct.
Busk-protector	J. King	19324	10 April ..	75	10 Aug.
Butter-box	J. Dunning	19839	3 Aug.
Butter-box	F. C. Baggesen	17726	29 March, 1904	67	13 July.
Butter-box	A. J. J. Bolton and T. Rand	19952	31 Aug. ..	82	7 Sept.*
Butter weigher and packer	S. F. Womersley	19889	17 Aug. ..	78	24 Aug.*
Butter-worker	F. Richardson and F. Markey	18857	14 Dec., 1904	67	13 July.
Button-hook	C. Stringfellow	18411	6 Sept., 1904	75	10 Aug.
Cable-container, Underground	E. J. Chambers	19848	8 Aug. ..	82	7 Sept.
Cake and spoon rest	D. Finnane	19870	8 Aug. ..	78	24 Aug.*
Can. (See Luncheon-can, Milk-can, Oil-can.)					

ALPHABETICAL LIST OF INVENTIONS—continued.

Invention.	Name.	Application.		Gazette.	
		No.	Date.	No.	Date.
Candle-extinguisher	C. Henry and E. J. Hatcher	19813	31 July ..	75	10 Aug.*
Candle or lamp holder	W. E. Hughes	20095	26 Sept. ..	91	19 Oct.*
Cant-hook	O. Paora	19874	9 Aug. ..	85	21 Sept.
Carbon di-oxide manufacture	C. N. Collison	19880	15 Aug. ..	78	24 Aug.*
Carrier. (See Bicycle-carrier, Egg-carrier, Parcel-carrier.)					
Cart-brake	W. Davidson	19978	1 Sept. ..	88	5 Oct.*
Cart. (See Go-cart.)					
Carving-table and plate-rack	C. F. F. Allan	19967	28 Aug. ..	85	21 Sept.*
Cask-head former	J. Russell	18603	17 Oct., 1904	75	10 Aug.
Cask-filling appliance	G. Lindsey	19926	23 Aug. ..	88	5 Oct.
Castrating-instrument	J. Dignan	18767	17 Nov., 1904	88	5 Oct.
Cattle-dehorning appliance	R. N. R. Lindsay	19678	5 July ..	67	13 July.*
Centrifugal separator	Aktiebolaget Separator	19866	10 Aug. ..	85	21 Sept.
Centrifugal separator	Aktiebolaget Separator	19867	10 Aug. ..	85	21 Sept.
Centrifugal separator	Aktiebolaget Separator	19868	10 Aug. ..	85	21 Sept.
Centrifugal separator-bowl, Inlet-pipe for	A. L. Christenson	18107	6 July, 1903†	67	13 July.
Chain-link	A. Lowe	18681	13 March ..	82	7 Sept.
Chains, Connecting ends of	J. A. Burke	19772	21 July ..	71	27 July.*
Chair, folding	J. S. Mail, W. J. Stanton, and P. H. Storie	20114	30 Sept. ..	91	19 Oct.*
Chair and bed combined	J. F. Bentley	19787	20 July ..	78	24 Aug.*
Check-ring device for piston-valve	W. Schmidt	19761	20 July ..	82	7 Sept.
Check-valve for gas and liquid conduits	Aktiebolaget Lux	19855	8 Aug. ..	82	7 Sept.
Cheese-press, Pressure-block for	W. Harvey	20048	14 Sept.
Cheque and receipt form	W. Quin	18408	6 Sept., 1904	67	13 July.
Chiming and crozing machine	C. J. Alley	20042	15 Sept. ..	88	5 Oct.*
Chimney	J. R. Park	19916	22 Aug. ..	88	5 Oct.
Chimney-pot and cowl	J. J. Blockley and J. A. Lissington	19804	29 July ..	88	5 Oct.
Chimney-pot attachment	L. E. St. George	19818	1 Aug. ..	75	10 Aug.*
Chimney-top	T. Driffield and P. T. Johns	19552	5 June ..	71	27 July.
Churn	W. W. Pilkington and L. N. Nat-trass	18380	30 Aug., 1904	67	13 July.
Churn	F. Richardson and F. Markey	18857	14 Dec., 1904	67	13 July.
Cigar or cigarette holder	F. M. Norris	19965	1 Sept.
Cigar machinery	International Cigar Machinery Company	20080	22 Sept.
Cigarette-machine	E. T. Pollard and E. L. Behr-mann	19986	6 Sept. ..	91	19 Oct.
Cistern. (See Water-cistern, Flushing-cistern.)					
Clamp. (See Frame-clamp.)					
Cleaner. (See Linotype-cleaner, Street-cleaner, Tram-line cleaner, Weed-cleaner.)					
Clip, Bottle-	E. Resch	19828	3 Aug. ..	82	7 Sept.
Clock-regulator	J. C. Ellis	20072	21 Sept.
Closet. (See Earth-closet, Water-closet.)					
Cloth-cutter shears	C. Cook	19692	8 July ..	71	27 July.*
Clothes-dryer	J. W. Fletcher, jun.	20006	9 Sept.
Clothes-peg	F. V. Raymond	19694	29 June ..	71	27 July.*
Clothes-peg	F. V. Raymond	19695	1 July ..	71	27 July.*
Clothes-prop	R. C. Noedl	20029	13 Sept. ..	91	19 Oct.*
Coat-hanger	C. C. Lake	19801	26 July ..	75	10 Aug.*
Cock, Stop-	T. Ritchie	19693	28 June ..	71	27 July.*
Cocksfoot-thresher	H. C. Thomsen	19770	20 July ..	71	27 July.*
Coin-freed letter-stamper	E. Moss	18337	17 Aug., 1904	67	13 July.
Coin-freed machine	C. E. Hibberd	19707	11 July ..	85	21 Sept.
Colour-printing	W. E. Hughes	19482	17 May ..	71	27 July.
Column, Verandah-	J. Dunbar	19754	11 July ..	75	10 Aug.*
Compound for production of railway-sleepers, building-blocks, &c.	S. Ford and J. S. Freeman	18526	1 Oct., 1904	85	21 Sept.
Concentrating-table, Dry	H. M. Sutton, W. L. and E. G. Steele	19613	20 June ..	71	27 July.
Conductor-tube for seed-sower	E. S. Baldwin and H. H. Rayward	19872	11 Aug. ..	78	24 Aug.*
Consumption-cure	J. Pugh	18697	3 Nov., 1904	88	5 Oct.
Controller. (See Horse-controller, Valve-controller, Motor-controller.)					
Cooker, Steam	E. J. Hatcher and C. Henry	20041	12 Sept.
Cooking-utensils, Cleaning	H. N. Maddox	19706	11 July ..	71	27 July.*
Cooling by evaporation	The Hon. C. A. Parsons	19757	19 July ..	85	21 Sept.
Cork for bottles	E. A. Cameron and M. Coughlan	19920	21 Aug.
Corning meat	P. H. O'Keeffe	20064	21 Sept.
Corset	G. E. White	19844	7 Aug. ..	78	24 Aug.*
Coulter, Plough-	R. V. Poocock	19721	13 July ..	71	27 July.*
Counter-sales book	C. B. Smith	19899	16 Aug. ..	85	21 Sept.
Coupling-hook, Buffer	G. Holford	19769	20 July ..	71	27 July.*
Coupling, Hose-	A. E. Green	20057	19 Sept.
Cover. (See Animal-cover, Letter-file cover, Tire-cover.)					
Cowl and chimney-pot	J. J. Blockley and J. A. Lissington	19804	29 July ..	88	5 Oct.
Cow's udder, Injecting air into	F. Edwards	19835	4 Aug. ..	82	7 Sept.
Cow's udder, Injecting air into	G. Scott	20104	27 Sept.
Cramp	J. Hercus, W. Morton, and F. W. Barton	19780	21 July ..	78	24 Aug.
Cramp and mitre-box	R. Wales	19781	21 July ..	82	7 Sept.*

ALPHABETICAL LIST OF INVENTIONS—continued.

Invention.	Name.	Application.		Gazette.	
		No.	Date.	No.	Date.
Cramp, Flooring-	W. G. Quicke	19939	28 Aug.
Crate for rabbits	W. Burrell and W. McMeekin	19150	28 Feb.	82	7 Sept.
Cream-separator	E. Tippett	19977	4 Sept.
Cruet-stand, Egg-boiling	J. M. Bawden	20021	12 Sept.	85	21 Sept.*
Culinary essence	Kempthorne, Prosser, and Co., New Zealand Drug Company	20014	9 Sept.
Culinary essence	J. K. Blogg	19955	31 Aug.	88	5 Oct.
Cultivator-attachment	A. Scherer	18742	15 Nov., 1904	78	24 Aug.
Cultivator, Spring-tine	W. B. Jones	18705	7 Nov., 1904	82	7 Sept.
Curtain-pole, Raising and lowering	D. S. MacGregor	19701	10 July	71	27 July.*
Curtain safety-pin	J. C. Traill	19551	5 June	71	27 July.
Cutter. (See Cloth-cutter, Mitre-cutter, Paperstand and cutter, Veneer-cutter, Weed-cutter.)					
Cycle-driving gear	L. A. Orr	20111	29 Sept.	91	19 Oct.*
Cycle-pedal strap	R. Weston	19689	5 July	71	27 July.*
Cycle-valve connection	J. Coe and V. Johansen	20056	15 Sept.
Cycle. (See also bicycle.)					
Damper for register grate	G. Collier	20075	20 Sept.	88	5 Oct.*
Daylight-reflector	H. J. Lloyd	19758	19 July	78	24 Aug.
Dehorning appliances, Cattle-	R. N. R. Lindsay	19678	5 July	67	13 July.*
Detergent	S. Wohle	19665	3 July	75	10 Aug.
Di-electric separator	H. M. Sutton and W. L. and E. G. Steele	19614	20 June	71	27 July.
Dining and billiard table combined	J. A. Walker	19193	9 March	82	7 Sept.
Disintegrating machine	P. S. Triggs	19766	20 July	82	7 Sept.
Distance-calculator for rifle-shooting	R. H. Owen	18670	28 Oct., 1904	75	10 Aug.
Distance-calculator	R. H. Owen	19744	17 July	78	24 Aug.
Door	R. Fewell	19970	2 Sept.
Door. (See Exit door, Lift-door, Oven- door, Piano-door.)					
Dovetail mortices, Cutting	F. A. Winter	19923	23 Aug.	91	19 Oct.
Drainage pipe	M. Sinclair	20000	6 Sept.	88	5 Oct.
Draught and dust excluder	T. R. Moses	19748	17 July	75	10 Aug.*
Draught and dust excluder	E. G. Ward	19783	22 July	85	21 Sept.*
Draught and dust excluder	W. E. Clark	19913	22 Aug.	82	7 Sept.*
Dredge-bucket link	R. R. Douglas	19875	9 Aug.	91	19 Oct.
Dredging machinery	H. Quertier	18306	11 Aug., 1904	78	24 Aug.*
Drill. (See Fertiliser-drill, Rock-drill, Seed-drill.)					
Drilling machine	H. F. Mander	19676	5 July	67	13 July.*
Driving gear for cycles	L. A. Orr	20111	29 Sept.	91	19 Oct.*
Drying perishable products	A. Falkner	19672	4 July	67	13 July.*
Dust and draught excluder	T. R. Moses	19748	17 July	75	10 Aug.*
Dust and draught excluder	E. G. Ward	19783	22 July	85	21 Sept.*
Dust and draught excluder	W. E. Clark	19913	22 Aug.	82	7 Sept.*
Dust and draught excluder	W. E. Clark	19913	22 Aug.	91	19 Oct.
Ear-mark for live-stock	W. Maddison	19747	13 July	71	27 July.*
Ear-marker	J. Pomeroy	19972	30 Aug.	85	21 Sept.*
Ear-marker	J. Dignan	18767	17 Nov., 1904	88	5 Oct.
Earth-closet	D. and J. Wemyss	19820	31 July
Earthenware-pipe making machine	H., J., and A. Coulthurst, M. Yar- row, and W. R. Haworth	19635	27 June	71	27 July.
Eaves-gutter fascias	F. A. Dixon	20074	21 Sept.
Egg-boiling cruet-stand	J. M. Bawden	20021	12 Sept.	85	21 Sept.*
Egg-carrier	F. G. Norton	19688	5 July	71	27 July.*
Egg-carrier	A. and F. J. Lawrence	19782	22 July	75	10 Aug.*
Egg-preserving cabinet	A. M. McDonald	18398	3 Sept., 1904	78	24 Aug.
Egg-tester	W. P. Mooney	19304	18 Aug.
Electric arc lamp	E. R. Grote and M. V. Ely	19154	12 Mar., 1904†	67	13 July.
Electric-arc-lamp regulator	J. C. P. Kirkwood	18377	29 Aug., 1904	67	13 July.
Electric belt	R. J. Burlton-Bennet and W. Shadgett	20089	20 Sept.
Electric belt, &c.	J. W. Fowler	18888	23 Dec., 1904	67	13 July.
Electric-current detector and measurer	Marconi's Wireless Telegraph Company, Limited	19849	8 Aug.	82	7 Sept.
Electric furnace	F. A. Kjellin	19838	4 Aug.	82	7 Sept.
Electric-machine governor	H. Pieper	19987	6 Sept.	91	19 Oct.
Electric-switch block	H. Luks	19921	23 Aug.	82	7 Sept.*
Electric traction, Connecting trolley with wire in	E. Moss	19722	13 July	71	27 July.*
Electric traction, Trolley-pole for	H. Quertier	19840	5 Aug.	75	10 Aug.*
Electric traction, Trolley-pole for	H. Quertier	19793	26 July	75	10 Aug.*
Electro-magnetic game apparatus	C. Miller	19845	7 Aug.	82	7 Sept.
Electro-medical appliance	A. W. Jones, sen., and A. W. Jones, jun.	19100	20 March	78	24 Aug.*
Elevator-well, Operating door of	W. F. Johns	18613	19 Oct., 1904	82	7 Sept.
Engine. (See Gas-engine, Rock-drilling engine, Rotary engine, Steam-engine, Traction-engine.)					
Envelope	J. R. Park	19687	27 June	71	27 July.*
Envelope and letter sheet	H. G. Cornwall	20026	13 Sept.	85	21 Sept.*

ALPHABETICAL LIST OF INVENTIONS—*continued.*

Invention.	Name.	Application.		Gazette.	
		No.	Date.	No.	Date.
Envelope-fastening	J. R. Park	19638	27 June ..	71	27 July.*
Envelope with telegraph form	R. D. Kelly	20058	19 Sept.
Excavating machinery	H. Quertier	18306	11 Aug., 1904	78	24 Aug. ..
Exit door	J. W. Fowler	20015	11 Sept. ..	88	5 Oct.*
Explosive	J. Fuhrer	18961	9 Feb., 1904†	67	13 July ..
Exposure and focus distributor	J. W. Davis	19994	8 Sept. ..	85	21 Sept.*
Extinguisher, Candle-	C. Henry and E. J. Hatcher	19813	31 July ..	75	10 Aug.*
Eye-bath and measure	G. W. Darvall	18602	17 Oct. ..	85	21 Sept. ..
Eyelet and hook	E. Sprey	19741	13 July ..	82	7 Sept. ..
Fabric rough-roller, Rotary	F. McCullough and E. C. Derry	19764	19 July ..	71	27 July.*
Fastener. (See Mail-bag fastener, Mauling fastener, Sash fastener, Slasher-handle fastener, Bale-band fastener, Gate-fastener.)					
Fastening. (See Bridle-fastening, Animal-cover fastening, Hamper-fastening, Envelope-fastening.)					
Feed-box, for animals	S. R. Bellingham	19927	23 Aug. ..	88	5 Oct. ..
Feeding-bottle protector	J. Ellen	20118	30 Sept.
Feed-water heater	E. L. Baggstrom	19774	21 July ..	75	10 Aug.*
Fertiliser drill, Conductor for	J. Gray	18427	3 Sep., 1904	67	13 July ..
Fibre from flax, Production of	H. D. Mackenzie	19655	1 July ..	75	10 Aug. ..
Fibre. (See also Flax.)					
File	H. Schuckar	19859	9 Aug. ..	82	7 Sept. ..
File. (See Letter-file, Newspaper-file, Paper-file.)					
Filter. (See Water-filter.)					
Filter-press	A. E. Davis	19628	26 June ..	71	27 July ..
Filter-press discharge	J. Chisholm	19682	5 July ..	75	10 Aug. ..
Fingers, Muscle-developer for	M. A. Hoppe	20028	13 Sept. ..	88	5 Oct.*
Fire-alarm	A. Taylor, J. Langley, and N. McDowell	19925	23 Aug.
Fire-lighter	R. Crawshaw	19822	1 Aug. ..	78	24 Aug.*
Fireproof building-slab	G. S. Mayhew	19853	10 Aug. ..	85	21 Sept. ..
Fireproof walls	J. Watson	19785	24 July
Flask and heater, Pocket	J. Henry and A. G. Gabites	19981	6 Sept. ..	85	21 Sept.*
Flax-fibre washer	A. F. Gibson	18787	22 Nov., 1904	78	24 Aug. ..
Flax, Production of fibre from	H. D. Mackenzie	19655	1 July ..	75	10 Aug. ..
Flax-scutter	J. McMaster	19895	18 Aug. ..	78	24 Aug.*
Flax-stripper	W., J., and W. Fairweather	18353	20 Aug., 1904	67	13 July ..
Flax-stripper attachment	J. Dunbar	19652	26 June ..	75	10 Aug. ..
Flax-stripper beating-bar	W. Jupp	19745	18 July ..	71	27 July.*
Flax-stripper frame	H. Ham	20090	25 Sept. ..	91	19 Oct.*
Flax-tailing appliance	T. Branton	19998	4 Sept. ..	85	21 Sept.*
Flax-treatment	J. Watson and W. Mackay	17906	11 May, 1904	78	24 Aug. ..
Flooring-crimp	W. G. Quicke	19939	28 Aug.
Flotation, Separation by	F. E. Eimore	19864	16 Aug., 1904†
Flower-pot	A. E. Lowe	19936	25 Aug. ..	82	7 Sept.*
Flush for water-cistern	T. W. Park	19703	11 July ..	71	27 July.*
Flushing-cistern	H. J. Tompkins	19775	21 July ..	71	17 July.*
Flying-machine	L. H. Carroll, S. Jacobs, and W. J. McIntosh	19790	26 July ..	75	10 Aug.*
Folding chair	J. S. Mail, W. J. Stanton, and P. H. Storie	20114	30 Sept. ..	91	19 Oct.*
Food-protector for animals	J. Herous, F. W. Barton, and W. Morton	19873	8 Aug. ..	85	21 Sept. ..
Food. (See also Milk food.)					
Fork. (See Toasting-fork.)					
Frame-clamp	R. Dunne	19776	21 July ..	71	27 July.*
Frame-clamp	R. Wales	19740	12 July ..	71	27 July.*
Franking-machine	R. Wales	17822	21 April, 1904	71	27 July ..
Franking machine, Letter-	E. Moss	18337	17 Aug., 1904	67	13 July ..
Fruit-gatherer	O. T. Madeley	18451	15 Sept., 1904	71	27 July ..
Fruit-gatherer	F. W. Smith	20035	14 Sept.	5 Oct.*
Fruit-product, Preserved	D. F. Sherman	19640	27 June ..	71	27 July.*
Funnel	H. Hughes	19752	18 July ..	71	27 July.*
Furnace. (See Electric furnace, Steam-boiler furnace, Refuse-furnace, Ore-roasting furnace.)					
Furniture, Upholstering	F. Barrow	19736	13 July ..	75	10 Aug.*
Gambrel	A. Kininmont	20091	22 Sept. ..	91	19 Oct. ..
Game	R. H. G. Sibley and A. Brown	19995	8 Sept.
Game	J. Ball and W. H. Bird	19824	1 Aug. ..	75	10 Aug.*
Game apparatus	C. Miller	19845	7 Aug. ..	78	24 Aug.*
Game apparatus	J. Jonson	20079	22 Sept. ..	88	5 Oct.*
Game. (See also Bagatelle, Parlour game, Table game.)					
Gas-burner	J. D. Jackson	18687	3 Nov., 1904	88	5 Oct. ..
Gas-burner	A. J. Way	19834	4 Aug. ..	75	10 Aug.*
Gas-burner	A. Aderoff	19912	22 Aug. ..	82	7 Sept.*
Gas-burner, Utilising heat from	J. Watt	18221	27 July, 1904	67	13 July ..
Gas-engine	W. A. Richards and C. B. Redrup	19662	3 July
Gas generator, Poisoned-	B. Locking	19909	22 Aug. ..	88	5 Oct. ..
Gas-hangings, Ball-and-socket joint for	T. McNab	20050	14 Sept. ..	88	5 Oct.*

ALPHABETICAL LIST OF INVENTIONS—continued.

Invention.	Name.	Application.		Gazette.	
		No.	Date.	No.	Date.
Gas-heated boiler	R. C. Bishop	20024	12 Sept.	88	5 Oct.
Gas-holder for limelight purposes	R. Newman	19619	20 June	75	10 Aug.*
Gas-iron	W. J. Jaggs	20007	5 Sept.
Gas-manufacture	H. S. Elworthy	19630	27 June	71	27 July.
Gas-manufacture	H. S. Elworthy	19631	27 June	71	27 July.
Gas-range boiler	R. C. Bishop	19181	8 March	88	5 Oct.
Gas. (See Acetylene gas, Producer gas.)					
Gas-stove, Shelf of	G. M. Ivey	19673	4 July	71	27 July.*
Gate, Collapsible	G. C. J. Richard	19732	13 July
Gate, Collapsible	G. C. J. Richard	19882	15 Aug.	85	21 Sept.*
Gate-fastener	R. E. Hall	20117	30 Sept.
Gate-opener	J. Paull	20066	21 Sept.	91	19 Oct.
Gauge for steam boiler	J. Shepherd	18425	5 Sept., 1904	78	24 Aug.
Generator. (See Acetylene-gas lamp and generator, Acetylene-generator, heat-generator, Poisoned-gas generator, Producer gas generator, Steam-generator.)					
Glazing-bars, Metal	J. E. Brown	19907	21 Aug.	82	7 Sept.*
Go-cart, Securing child in	J. J. Neugeschwender	19878	12 Aug.	78	24 Aug.*
Gold extractor, Fine	W. Adams	19902	18 Aug.	88	5 Oct.
Gold from water, Extracting	H. C. and U. Ciantar	18931	10 Jan.	75	10 Aug.
Gold-saving	J. Nicholson	20099	27 Sept.	91	19 Oct.
Gold-saving apparatus	M. Ryan	18434	9 Sept., 1904	75	10 Aug.
Gold-saving plush	M. Ryan	18576	11 Oct., 1904..	75	10 Aug.
Gold-saving table and slide	A. T. W. Allan and W. McCullough	20115	25 Sept.
Gold, Separation of	J. Nicholson	20098	27 Sept.	91	19 Oct.
Goods-mover	T. P. Rudkins and P. K. O'Brien	19622	22 June	71	27 July.
Gooseberry-picker	F. W. Smith	20035	14 Sept.	88	5 Oct.*
Governor, Electric-machine	H. Pieper	19987	6 Sept.	91	19 Oct.
Grate (See Register-grate.)					
Gravel screen	J. E. Holland	19669	3 July	67	13 July.*
Grinding surface for pan	W. Middleton and H. N. G. Cobbe	19796	27 July	78	24 Aug.
Grip. (See Hat-grip, Handle-grip.)					
Groceries-reminder	E. I. F. Thode	19892	15 Aug.
Gum-hook	J. Hansen	19911	19 Aug.	91	19 Oct.
Gutter fascias, Eaves-	F. A. Dixon	20074	21 Sept.
Hair-pin	J. J. Macky	19670	1 July
Hair-pin	F. H. Hall	20085	20 Sept.	88	5 Oct.*
Hamper-fastening	T. E. Jones	19791	26 July	75	10 Aug.*
Hand-truck, Elevating	D. H. K. McGuinness	18475	22 Sept., 1904	67	13 July.
Handle-grip	J. Dunbar	19778	17 July	82	7 Sept.
Handle to broom, &c., Attaching	J. B. McCubbin	19951	31 Aug.	82	7 Sept.*
Hanger. (See Coat-hanger, Sash-hanger.)					
Harbours, Forming sandbank in bar	H. Norgrove	19805	29 July	75	10 Aug.*
Harness, Shaft-tug for	J. Theobald	18458	17 Sept., 1904	71	27 July.
Harrow, Weed-cleaner for	F. T. McAnulty	19700	10 July	71	27 July.*
Hat-grip	G. H. Hyams	19671	3 July	67	13 July.*
Hat-stand	A. Martin	19876	9 Aug.	82	7 Sept.*
Head-stall	E. A. G. Hamlin	19860	9 Aug.	78	24 Aug.*
Heat from oil-lamp, Utilising	J. Watt	18221	27 July, 1904..	67	13 July.
Heat-generator	A. McLeod	19777	22 July	71	27 July.*
Heater, Pocket-flask and	J. Henry and A. G. Gabites	19981	6 Sept.	85	21 Sept.*
Heater. (See Feed-water heater, Water-heater.)					
Heating-system for buildings	J. Smail	19739	12 July	71	27 July.*
Heel (See Boot-heel.)					
Heels, Trimming and concaving	United Shoe Machinery Company	18751	16 Nov., 1904..	88	5 Oct.
High-pressure boiler	B. S. and J. H. Nicholls and C. A. Bennett	19886	8 Aug.	85	21 Sept.
Hill-climbing device for the feet	J. Connell	20116	28 Sept.
Hobble	H. Carlson	19737	15 July	75	10 Aug.
Holder. (See Candle or lamp holder, Cigar holder, Gas-holder, Label and address holder, Necktie-holder, Pen-holder, Ticket-holder, Tool-holder.)					
Hollow-ware, Manufacture of	J. Macdougall and R. Southouse	19988	6 Sept.	88	5 Oct.
Hook and eyelet	E. Sprey	19741	13 July	82	7 Sept.
Hook for reins, &c.	A. Reid	19514	25 May	85	21 Sept.
Hook for reins, &c.	A. Reid	19983	25 May	88	5 Oct.
Hook. (See also Button-hook, Cant-hook, Plough-chain hook, Coupling-hook, Gum-hook.)					
Horse-collar	J. M. Toft	19371	19 April	75	10 Aug.
Horse-controller	C. Lorrett	19973	31 Aug.	85	21 Sept.*
Horse from kicking, Preventing	J. R. Charlton	20119	30 Sept.
Horse from vehicle, Releasing	M. I. Ballinger	19957	31 Aug.	82	7 Sept.*
Horse-riding skirt, Saddle safe	J. H. Love	20003	6 Sept.	85	21 Sept.*
Horse-stopper	O. T. Madeley	19797	27 July	75	10 Aug.*
Hose-connection	J. McGuire	19611	20 June	71	27 July.
Hose-coupling	A. E. Green	20057	19 Sept.
Hot-water boiler	C. F. F. Allan	19879	12 Aug.	82	7 Sept.*
House, Portable	W. M. Ducker	19571	7 June	71	27 July.
House, Studless	T. F. Brown and D. and J. Solomon	19891	17 Aug.	82	7 Sept.*
Hull, Construction of ship's	H. E. Ross	19219	16 March	67	13 July.

ALPHABETICAL LIST OF INVENTIONS—continued.

Invention.	Name.	Application.		Gazette.	
		No.	Date.	No.	Date.
Hurdle, Horse-racing	C. F. F. Allan	19968	28 Aug.
Hydraulic motor	L. R. Gillanders	19786	20 July ..	78	24 Aug.
Hydraulic ram	J. A. Grofski	20076	21 Sept. ..	91	19 Oct.*
Hydraulic-ram valve	J. Northey	19825	3 Aug. ..	75	10 Aug.*
Hydro-extractor drive	D. Urquhart and C. Sloper ..	19905	21 Aug. ..	82	7 Sept.*
Impurities from milk, Separating ..	A. A. Turner and J. J. Gleeson ..	18404	5 Sept., 1904	71	27 July.
Incandescent burner	J. Warry and P. Wigley	18737	18 July, 1904†	78	24 Aug.
Incandescent gas-lamp	Pintsch's Patent Lighting Com- pany, Limited	20019	12 Sept. ..	91	19 Oct.
Incandescent gas-lighting	E. A. Wood	19712	13 July ..	78	24 Aug.
Indicating closing and sorting of mails..	A. J. Clegg	20078	22 Sept. ..	91	19 Oct.*
Indicator, Station-	A. J. Border	19709	10 July ..	75	10 Aug.*
Inflator-pump	J. Nelson	19938	28 Aug. ..	85	21 Sept.*
Injector. (See Air steriliser and in- jector.)					
Ink-pot	F. Wolff, F. Elvines, and T. Hall	19727	13 July ..	71	27 July.*
Iron. (See Gas-iron, Laundry-iron, Soldering-iron.)					
Ironsand, Manufacture of briquettes from	T. Rouse and H. Cohn	18905	29 Dec., 1904	67	13 July.
Ironsand-smelting	T. S. Anderson.. ..	19663	3 July ..	75	10 Aug.
Jack. (See Boot-repairing jack, Lever- jack, Vehicle-jack.)					
Joint for pipes	G. and C. Hoskins, Limited ..	19991	7 Sept. ..	88	5 Oct.
Keel of boat	T. H. Palmer	20101	27 Sept. ..	88	5 Oct.*
Kerosene-tin, Emptying	R. S. Haughton	20055	18 Sept. ..	88	5 Oct.*
Kettle	T. Garland	19906	21 Aug. ..	82	7 Sept.*
Key for traction-engine pin	J. Gale	20084	22 Sept.
Kiln, Brick	G. Mathews	19963	31 Aug. ..	88	5 Oct.
Label and address holder	T. J. Whelan	20102	27 Sept. ..	91	19 Oct.*
Lamp-burner socket to bowl, Securing..	R. W. Lawrence	19342	3 Aug. ..	75	10 Aug.*
Lamp or candle holder	W. E. Hughes	20095	26 Sept. ..	91	19 Oct.*
Lamp. (See Acetylene-gas lamp, Acety- lene-lamp, Electric arc lamp, Incan- descent gas-lamp, Oil-lamp.)					
Lathing, Metal-	J. Watson	19821	2 Aug. ..	82	7 Sept.
Laundry-iron, Gas-heated	F. J. Shelton	20063	20 Sept.
Leakage-preventer for bolt-holes	F. G. Price	19685	6 July
Leather, Preparing	Rubberized Leather and Tyre Company, Limited.	19953	31 Aug.
Ledger, Lock for loose-leaf	F. W. Leighton	19933	22 Aug. ..	85	21 Sept.
Letter and post cards	H. Stebbing	20061	20 Sept. ..	88	5 Oct.*
Letter-envelope and telegraph form	R. D. Kelly	20058	19 Sept.
Letter-file cover	J. Wilson	19919	21 Aug. ..	82	7 Sept.*
Letter-stamper, Coin-freed	E. Moss	18337	17 Aug., 1904	67	13 July.
Lever-jack	B. and W. Trehwella	18435	6 Sept., 1904	75	10 Aug.
Lift-door, Closing and locking	R. P. Park	19929	23 Aug. ..	82	7 Sept.*
Lift-door, Operating	W. F. Johns	18613	19 Oct., 1904	78	24 Aug.*
Lifting-tackle	J. Mason, T. Brydone, and G. Armstrong	20013	7 Sept. ..	85	21 Sept.*
Lighter. (See Fire-lighter, Tobacco- lighter.)					
Limelight-gas holder	R. Newman	19619	20 June ..	75	10 Aug.*
Link. (See Chain-link, Dredge-bucket link.)					
Linotype-cleaner	C. J. Petersen and D. R. Fisher	19832	2 Aug. ..	75	10 Aug.*
Linotype machine	Mergenthaler Linotype Company	19668	3 July ..	75	10 Aug.
Liquid-ejector	A. S. Ford	20005	9 Sept.
Liquid-measure	D. Corcoran	19865	10 Aug. ..	85	21 Sept.
Liquid-purifier	A. A. Turner and J. J. Gleeson ..	18404	5 Sept., 1904	71	27 July.
Liquid-vapouriser	A. Hayes	19574	8 June ..	71	27 July.
Lock-nut	W. J. Wallett	19883	15 Aug. ..	85	21 Sept.
Lock. (See Sash raiser and lock, Wheel-lock, Window-lock.)					
Locking device for loose-leaf ledger ..	F. W. Leighton	19933	22 Aug. ..	85	21 Sept.
Locomotive-boiler	W. Schmidt	19767	20 July ..	82	7 Sept.
Locomotive-steam distribution	W. E. Hughes	20023	12 Sept. ..	91	19 Oct.
Locomotive-steam distribution	W. E. Hughes	20067	21 Sept.
Lubricator	T. H. Perrott	20034	14 Sept. ..	88	5 Oct.*
Luncheon-can	J. T. Hooker	19992	7 Sept. ..	85	21 Sept.*
Mail-bag fastener	F. J. Cowern	20092	26 Sept.
Mail-bag fastener	A. Parker	19826	3 Aug. ..	75	10 Aug.*
Mail-bag fastener	O. T. Madeley	19830	3 Aug. ..	75	10 Aug.*
Mails, Indicating closing and sorting of	A. J. Clegg	20078	22 Sept. ..	91	19 Oct.*
Manure feed	J. Macalister	20040	9 Sept. ..	88	5 Oct.*
Marine and locomobile boiler super- heater.	W. Schmidt	19768	20 July ..	82	7 Sept.
Mark. (See Ear-mark.)					
Match-box filler	W. H. Bryant	19686	6 July ..	71	27 July.*
Match-striker, Garment	J. E. McLean	20009	6 Sept. ..	91	19 Oct.*
Match-striker, securing to garments ..	R. H. Owen	19894	18 Aug. ..	85	21 Sept.*

ALPHABETICAL LIST OF INVENTIONS—*continued.*

Invention.	Name.	Application.		Gazette.	
		No.	Date.	No.	Date.
Material, Separating finely divided	F. E. Elmore	19864	16 Aug., 1904†
Mattress. (See Wire mattress.)					
Maul-ring fastener	D. T. McPhedran	20008	6 Sept. ..	85	21 Sept.*
Measuring and delivering milk	K. McDonald	19699	10 July ..	71	27 July.*
Measuring liquids	D. Corcoran	19865	10 Aug. ..	85	21 Sept.
Measuring-rule	R. W. de Montalk	19897	17 Aug. ..	82	7 Sept.*
Meat-brand	M. Belk	18672	27 Jan. ..	71	27 July.
Meat-corning	P. H. O'Keefe	20064	21 Sept.
Medical appliance, Electro	A. W. Jones, sen., and A. W. Jones, jun.	19100	20 March ..	82	7 Sept.
Mercury-separator from amalgam	H. Airey	19881	15 Aug. ..	78	24 Aug.*
Merry-go-round	G. W. Lucy	20051	18 Sept. ..	88	5 Oct.*
Metal-castings mould-dresser ..	A. F. Jagger	19762	17 July ..	71	27 July.*
Metal-lathing	J. Watson	19821	2 Aug. ..	82	7 Sept.
Metal. (See Sheet-metal.)					
Metals from ores, Separating ..	J. D. Wolf	19890	17 Aug. ..	85	21 Sept.
Meter, Bill-delivery mechanism for	The Automatic Meter Company ..	19615	20 June ..	71	27 July.
Milk-can	D. Bower	18770	18 Nov., 1904	82	7 Sept.
Milk-can attachment.. .. .	J. O'Donnell	19836	4 Aug. ..	75	10 Aug.*
Milk-food	J. R. Hatmaker	19760	20 July ..	78	24 Aug.
Milk-food	J. R. Hatmaker	20036	21 Sept., 1904†	91	19 Oct.
Milk-food	J. R. Hatmaker	20037	21 Sept., 1904†	91	19 Oct.
Milk measuring and delivering apparatus	K. McDonald	19699	10 July ..	71	27 July.*
Milk-purifier	A. A. Turner and J. J. Gleeson ..	18404	5 Sept., 1904	71	27 July.*
Milking-appliance	W. J. Jefferis	19755	19 July ..	71	27 July.*
Milking-machine	A. Kilborn	18324	17 Aug., 1904	67	13 July.
Mining, Placer	J. L. Weaver	19750	18 July ..	78	24 Aug.
Mining, Water-power winder for	J. Strathern	18955	10 Jan. ..	78	24 Aug.
Mitre-box	R. Wales	19740	12 July ..	71	27 July.*
Mitre box and cramp.. .. .	R. Wales	19781	21 July ..	82	7 Sept.*
Mitre-cutter.. .. .	J. H. Hickman	19803	28 July
Mop	H. N. Maddox	19705	11 July ..	71	27 July.*
Mop	H. N. Maddox	19706	11 July ..	71	27 July.*
Mop and Scrubber	A. Johnston and C. Jenkins ..	20049	14 Sept. ..	88	5 Oct.*
Mop, Wash-up	G. A. Haydon	19656	26 June ..	71	27 July.*
Mortises, Cutting dovetail	F. A. Winter	19923	23 Aug. ..	91	19 Oct.
Motor	C. H. Carter	19943	29 Aug. ..	82	7 Sept.*
Motor	W. Stokes, jun., and J. H. Suckling	19846	17 May ..	82	7 Sept.*
Motor	J. Frame	19888	16 Aug. ..	78	24 Aug.*
Motor	W. Stokes, jun., and J. H. Suckling	19223	20 March ..	78	24 Aug.
Motor. (See also Hydraulic motor, Wind and water motor.)					
Motor-controller for pump	A. E. and H. G. Bradley	19934	25 Aug. ..	88	5 Oct.
Mould-dresser, Metal castings..	A. F. Jagger	19762	17 July ..	71	27 July.*
Moving goods	T. P. Rudkins and P. K. O'Brien	19622	22 June ..	71	27 July.
Muscle-developer for fingers ..	M. A. Hoppe	20028	13 Sept. ..	88	5 Oct.*
Music-teaching apparatus	A. Anderson	19698	10 July ..	71	27 July.*
Music-teaching device	W. P. Simmonds	19680	5 July ..	71	27 July.*
Nail-driving machine.. .. .	United Shoe Machinery Company	18752	16 Nov., 1904	82	7 Sept.
Necktie-holder	L. E. Papworth	19554	5 June ..	71	27 July.*
Needle	T. N. Turgeon	19795	27 July
Newspaper-file	J. Pomeroy	19841	28 July ..	75	10 Aug.*
Nickel from nickel carbonyl, Obtaining	The Mond Nickel Company, Limited	19853	8 Aug. ..	82	7 Sept.
Nickel-ores, Treating	The Mond Nickel Company, Limited	19854	8 Aug. ..	82	7 Sept.
Nickel, Production of	H. S. Elworthy	19632	27 June ..	71	27 July.
Non-refillable bottle	F. Blackburn and J. Robertson ..	20047	14 Sept.
Numerical recording machine..	H. J. B. Harding	19728	13 July ..	85	21 Sept.
Oakum from tow, Making	J. Davis	19734	14 July ..	75	10 Aug.*
Oil-can	A. C. Ford	20103	27 Sept. ..	91	19 Oct.*
Oil-lamp, Utilising heat from ..	J. Watt	18221	27 July, 1904	67	13 July.
Ore-concentration	H. L. Sulman and H. F. Kirk- patrick-Picard	19633	27 June ..	71	27 July.
Ore-concentration	H. L. Sulman and H. F. Kirk- patrick Picard	19634	27 June ..	71	27 July.
Ore-feeder for battery	J. N. Dewar	19989	6 Sept. ..	85	21 Sept.*
Ore-roasting furnace.. .. .	T. Edwards	19683	6 July ..	75	10 Aug.
Ore-smelting	T. S. Anderson.. .. .	19663	3 July ..	75	10 Aug.
Ores, Extracting arsenic from ..	R. M. Aitken	19603	16 June ..	78	24 Aug.
Ores, Separating metals from ..	J. D. Wolf	19890	17 Aug. ..	85	21 Sept.
Oven-door	T. Hitchen	20110	28 Sept.
Overcoat	H. Weingott	19959	31 Aug. ..	82	7 Sept.*
Oysters, Preserving	P. H. Dixon	19681	5 July
Package for foodstuffs	H. T. Griffiths and G. E. Andrew	19954	31 Aug. ..	82	7 Sept.*
Pan	J. Paterson and E. Johns	18086	23 June, 1904	67	13 July.
Pan, Grinding-surface for	W. Middleton and H. N. G. Cobbe	19796	27 July ..	78	24 Aug.
Paper-file	J. Pomeroy	19971	30 Aug. ..	85	21 Sept.*
Paper stand and cutter	E. A. Irwin	20083	20 Sept. ..	88	5 Oct.*
Parcel-carrier	C. A. Dewar	19960	15 Aug.†
Parlour game	A. J. G. Schmitt	19674	4 July ..	71	27 July.*
Parlour game	A. Butler, A. Benness, and J. C. McDonald	19763	19 July ..	71	27 July.*

ALPHABETICAL LIST OF INVENTIONS—continued.

Invention.	Name.	Application.		Gazette.	
		No.	Date.	No.	Date.
Pea-shelling machine	D. Krmptic	19816	1 Aug. ..	75	10 ^o Aug.*
Peeler, Potato-	D. McQueen	19857	8 Aug.
Peg. (See Clothes-peg.)					
Penholder	W. Langdon and F. W. Wagstaff	19579	7 June ..	71	27 July.
Penholder	F. Wolf, F. Elvines, and T. Hall	19727	13 July ..	71	27 July.*
Perishable-condiment receptacle ..	C. P. Parkerson	18608	18 Oct., 1904	75	10 Aug.
Perishable products, Drying	A. Falkner	19672	4 July ..	67	13 July.*
Phonograph record, Erasing impression from	G. Smith	19723	13 July ..	71	27 July.*
Photographs, Printing and developing ..	H. J. Mallabar	20046	18 Sept. ..	88	5 Oct.*
Photographic exposure and focus-distributor	J. W. Davis	19994	8 Sept. ..	85	21 Sept.*
Photographic washing apparatus	F. G. England	19949	30 Aug. ..	82	7 Sept.*
Photographing moving objects	N. I. Gooder and R. Tait, jun. ..	19384	16 Aug. ..	78	24 Aug.*
Plano-door	O. C. Beale and C. J. Vader	19985	6 Sept. ..	88	5 Oct.
Piano	J. J. Bruer	20069	21 Sept.
Pin. (See Brooch-pin, Hair-pin, Safety-pin.)					
Pipe-cleaning apparatus	F. W. Armstrong	19964	30 Aug. ..	82	7 Sept.*
Pipe. (See Drainage pipe, Earthenware pipe, Tobacco-pipe.)					
Pipe, Cable-container for	E. J. Chambers	19848	8 Aug. ..	82	7 Sept.
Pipe-wrench	R. M. Carroll	18989	25 Jan. ..	67	13 July.
Pipes, Joint for	G. and C. Hoskins Limited	19991	7 Sept. ..	88	5 Oct.
Piston-valve	The Hon. C. A. Parsons	19714	13 July ..	78	24 Aug.
Piston-valve, Packing check-ring device for	W. Schmidt	19761	20 July ..	82	7 Sept.
Placer mining	J. L. Weaver	19750	18 July ..	78	24 Aug.
Planing-machine	W. T. Ashton	20109	28 Sept. ..	91	19 Oct.*
Plate-rack, carving-table, &c.	C. F. F. Allan	19967	28 Aug. ..	85	21 Sept.*
Plough	E. H. J. Mitchell and B. F. Mellor	20020	12 Sept.
Plough	H. S. McCully	19937	24 Aug. ..	82	7 Sept.*
Plough-chain hook	J. H. Roberts	20012	6 Sept. ..	85	21 Sept.*
Plough-coulter	R. V. Pocock	19721	13 July ..	71	27 July.*
Plough-lifting attachment	W. Kennedy	19976	1 Sept. ..	91	19 Oct.*
Plough, Potato-planting attachment to	J. B. Crump	20094	26 Sept. ..	88	5 Oct.*
Plough, Weed-cutting	A. M. Grainger	19975	1 Sept.
Poison-layer	W. E. Hughes	20106	28 Sept. ..	91	19 Oct.*
Poisoned gas-generator	B. Locking	19909	22 Aug. ..	88	5 Oct.
Pole (See Curtain-pole, Trolley-pole.)					
Polish for metal, glass, &c.	H. J. and A. B. Hill	19887	16 Aug.
Portable boiler	H. Norgrove	19806	29 July ..	75	10 Aug.*
Post and letter cards	H. Stebbing	20061	20 Sept. ..	88	5 Oct.*
Post-hole digger	F. J. T. Ellis	19729	13 July
Pot-stick	R. Craig	19871	8 Aug.
Pot (See Chimney-pot, Flower-pot.)					
Potato-digger	J. G. Dennison	18774	21 Nov., 1904	85	21 Sept.
Potato-peeler	D. McQueen	19857	8 Aug.
Potato-planting plough attachment	J. B. Crump	20094	26 Sept. ..	88	5 Oct.*
Pounding-up machine	United Shoe Machinery Company	18626	20 Oct., 1904	71	27 July.
Preserving cabinet, Egg-	A. M. McDonald	18398	3 Sept., 1904	78	24 Aug.
Preserving fruit	D. F. Sherman	19640	27 June ..	71	27 July.
Preserving oysters	P. H. Dixon	19681	5 July
Preserving-tin, Securing cover of	Christchurch Meat Company, Limited	18456	16 Sept., 1904	75	10 Aug.
Press (See Cheese-press, Filter-press.)					
Printing and developing photographs ..	H. J. Mallabar	20046	18 Sept.
Printing (See Bag-printing, Colour-printing)					
Producer-gas generator	C. J. Lamkin, C. H. G. Croll, and A. S. Mitchell	20108	28 Sept. ..	91	19 Oct.*
Prop, Clothes-	R. C. Noedl	20029	13 Sept. ..	91	19 Oct.*
Propulsion of vessels	C. E. L. Brown	19711	13 July ..	78	24 Aug.
Propulsion of vessels	T. Beckett	19773	21 July
Protector (See Boot-protector, Busk-protector, Feeding bottle protector, Food-protector, Tire-protector.)					
Pulley-belt shifter	T. Danks	19742	17 July ..	75	10 Aug.*
Pulley-block	J. B. Henderson	19941	29 Aug. ..	85	21 Sept.*
Pumice treatment	T. Vivian	19733	10 July ..	71	27 July.*
Pump	Henry R. Worthington	20027	13 Sept. ..	91	19 Oct.
Pump, Water-	B. G. A. Harkness	18572	10 Oct., 1904	75	10 Aug.
Pump, Bicycle-	G. I. Lowe	20113	30 Sept.
Pump, Turbine-	Henry R. Worthington	20033	14 Sept. ..	91	19 Oct.
Pump, Motor controller for	A. E. and H. G. Bradley	19934	25 Aug. ..	88	5 Oct.
Puncture-repairing composition	K. Lewis	19794	27 July ..	75	10 Aug.*
Puncture-sealing compound	D. Charleston	19710	13 July ..	78	24 Aug.*
Puncture-sealing compound	D. Charleston	19990	6 Sept. ..	88	5 Oct.
Rabbit-crate	W. Burrell and W. McMeekin	19150	28 Feb. ..	82	7 Sept.
Rabbit-trap	R. H. Easdown	19564	7 June ..	71	27 July.
Rabbit-trap	R. J. Fry	19735	14 July ..	71	27 July.*
Rabbit-trap	O. T. Madeley	19798	27 July
Race or alleyway, travelling	C. Rask and E. A. Cameron	20112	23 Sept.
Race-starter	E. Rains	19749	18 July ..	71	27 July.*
Rack. (See Broom-rack.)					
Rail, magnetically increasing wheel-adhesion to	R. C. Lowry	19666	3 July ..	75	10 Aug.

ALPHABETICAL LIST OF INVENTIONS—continued.

Invention.	Name.	Application.		Gazette.	
		No.	Date.	No.	Date.
Rails for railway	C. J. R. Richardson	19944	29 Aug. ..	85	21 Sept.*
Rails, Sighting apparatus for lifting	C. Craig	20044	16 Sept. ..	88	5 Oct.*
Railway-brake, magnetic	J. P. Campbell	19726	13 July ..	78	24 Aug.
Railway-switch, Operating street	Braim Patent Switch Company, Limited	19924	23 Aug. ..	88	5 Oct.
Railway-sleepers, Compound for	S. Ford and J. S. Freeman	18526	1 Oct., 1904	85	21 Sept.
Rain-water collection	H. Brown	19817	1 Aug. ..	85	21 Sept.
Ram. (See Hydraulic ram.)					
Range-finder	R. H. Owen	18670	28 Oct., 1904	75	10 Aug.
Range-finder	R. H. Owen	19744	17 July ..	78	24 Aug.
Ratchet-wrench	G. S. Stevenson	19643	24 June ..	71	27 July.*
Receipt and cheque form	W. Quin	18408	6 Sept., 1904	67	13 July.
Reflector. (See Daylight-reflector.)					
Refrigerating apparatus	J. T. Hunter	19756	19 July ..	85	21 Sept.
Refuse-furnace	F. Cotton	20060	20 Sept. ..	91	19 Oct.
Register-grate	C. M. Graham	19808	29 July ..	78	24 Aug.
Register-grate damper	G. Collier	20075	20 Sept. ..	88	5 Oct.*
Regulator. (See Electric Arc-lamp Regulator, Temperature-regulator, Clock-regulator.)					
Reins and holder	O. T. Madeley	19797	27 July ..	75	10 Aug.*
Reminder for groceries	E. I. F. Thode	19892	15 Aug.
Ridger	J. Macalister	19869	5 Aug. ..	78	24 Aug.*
Ridger, Scraper for roller of	J. Macalister	19811	25 July ..	75	10 Aug.*
Rock-drill	W. C. Johnson and G. C. Pearson	18610	19 Oct., 1904	71	27 July.
Rock-drill	E. J. Rigby	19852	8 Aug. ..	78	24 Aug.*
Rock-drill, Supplying water to	H. W. Aspinall and E. J. Rigby ..	20105	28 Sept. ..	91	19 Oct.*
Rock-drilling engine	J. G. Leyner	19962	31 Aug. ..	91	19 Oct.
Roller, Rotary fabric	F. McCullough and E. C. Derry ..	19764	19 July ..	71	27 July.*
Rope-block or lifting-tackle	J. Mason, T. Brydone, and G. Armstrong	20013	7 Sept. ..	85	21 Sept.*
Rotary engine	A. B. Wilson	20052	18 Sept. ..	88	5 Oct.*
Roundabout, aerial	G. W. Lucy	20051	18 Sept. ..	88	5 Oct.*
Rule, Measuring-	R. W. de Montalk	19897	17 Aug. ..	82	7 Sept.*
Saddle safe for horse-riding skirt	J. H. Love	20003	6 Sept. ..	85	21 Sept.*
Safety pin	W. Coyle, H. Gentles, and J. M. Morran	19746	13 July ..	78	24 Aug.
Safety-pin for curtain	J. C. Traill	19551	5 June ..	71	27 July.
Sand-bank, Formation	H. Norgrove	19805	29 July ..	75	10 Aug.*
Sandal	S. Smith	19980	4 Sept.
Sash-balance	G. Westmoreland	19807	29 July
Sash-fastener	R. H. White and G. T. Pritchard	20030	13 Sept. ..	85	21 Sept.*
Sash-hanger	G. M. Scott	19792	26 July ..	78	24 Aug.
Sash lock and balance	G. Westmoreland	19807	29 July
Sash raiser and lock	J. Baxter	19697	5 July ..	75	10 Aug.*
Sash raiser and lock	J. Baxter	19696	5 July
Sash. (See also Ventilating sash, Window-sash.)					
Saucepan	D. W. Martyn	19984	5 Sept. ..	85	21 Sept.*
Saw-bench and surface-planer	W. E. L. Laugesen and L. E. Hogbacka	19966	1 Sept.
Sawsset gauge and stripper	A. E. Bregman	19896	17 Aug. ..	85	21 Sept.
Scaffolding bracket	G. E. Humphries	20002	9 Sept. ..	85	21 Sept.*
Scraper for roller of ridger	J. Macalister	19811	25 July ..	75	10 Aug.*
Scraper for tram-line	J. W. Murdock	18972	16 Jan. ..	67	13 July.
Screen. (See Gravel-screen, Vibrating-screen.)					
Screw device for removing bushes	F. W. Payne	19898	16 Aug. ..	88	5 Oct.
Scrubber and mop	A. Johnston and C. Jenkins	20049	14 Sept. ..	88	5 Oct.*
Scrubber for ship's hull	G. Capstick	19900	17 Aug. ..	82	7 Sept.*
Seal, Bottle-	K. C. Gillette	19664	3 July ..	67	13 July.*
Seat, Vehicle-	A. G. Land	18465	20 Sept., 1904	67	13 July.
Seed-drill cultivator attachment	A. Scherer	18742	15 Nov., 1904	78	24 Aug.*
Seed-sower conductor tube	E. S. Baldwin and H. H. Rayward	19872	11 Aug. ..	78	24 Aug.*
Seed sower, Mangold-	J. Gray	18496	26 Sept., 1904	71	27 July.
Separation by flotation	F. E. Elmore	19864	16 Aug., 1904†
Separator. (See Centrifugal separator, Cream-separator, Di-electric separator, Mercury-separator.)					
Septic tank	F. Palliser	19784	22 July ..	78	24 Aug.
Septic tank discharge	A. J. Hunter	19715	8 July ..	82	7 Sept.
Shaft-bearings	P. Schou	19930	24 Aug. ..	88	5 Oct.
Shaft-tug	J. Theobald	18458	17 Sept., 1904	71	27 July.
Shafts of vehicles	J. Murphy and C. Harper	20025	12 Sept. ..	88	5 Oct.
Sheep and lambs' paunohes, cutting, &c.	D. Urquhart and C. Sloper	19858	8 Aug. ..	82	7 Sept.*
Sheep-runner	F. Cooper	19771	19 July
Sheep-shears	H. S. Burley	19661	3 July ..	75	10 Aug.
Sheet-metal working machinery	G. J. Browne and E. Toms	19800	27 July ..	78	24 Aug.*
Sheet-metal working	G. B. Johnson	19914	22 Aug. ..	88	5 Oct.
Ship	A. N. Whitney	19675	25 May ..	71	27 July.
Ships' hull, Construction of	H. E. Ross	19219	16 Mar. ..	67	13 July.
Ship's hull scrubber	G. Capstick	19900	17 Aug. ..	82	7 Sept.
Shirt	S. N. Robinson and W. G. Walden	19725	11 July
Shoe. (See Boot or Shoe, Traction-engine shoe.)					

ALPHABETICAL LIST OF INVENTIONS—continued.

Invention.	Name.	Application.		Gazette.	
		No.	Date.	No.	Date.
Shot-making machinery	W. H. Pearson	19901	17 Aug.	82	7 Sept.*
Shower-bath	A. Troup	19765	20 July	71	27 July.*
Shower-bath	A. Troup	19950	31 Aug.	82	7 Sept.*
Shutter, collapsible	G. C. J. Richard	19882	15 Aug.	85	21 Sept. 20382
Shutters, Operating railway, &c.	W. F. Williams	19850	8 Aug.	85	21 Sept.*
Sighting apparatus for lifting rails	C. Craig	20044	16 Sept.	88	5 Oct.*
Siphon	J. M. Dawson	19199	14 March	85	21 Sept.
Siphon	H. Corbett	19815	1 Aug.	85	21 Sept.*
Siphon	E. Taylor	19922	23 Aug.	85	21 Sept.
Skylight	J. F. Farra	19599	15 June	85	21 Sept.*
Slab, Wooden-cored plaster for building-	G. S. Mayhew	19863	10 Aug.	85	21 Sept.*
Slasher-handle fastener	A. L. Falls	20039	14 Sept.	91	19 Oct.
Slaughterman's tree	A. Kinimont	20091	22 Sept.	91	19 Oct.
Slimes, Treatment of	P. T. Louat	20022	12 Sept.	85	21 Sept.*
Smoke-preventer	J. D. Jackson	20053	18 Sept.	88	5 Oct.*
Smoke-consumer	A. McLeod	19777	22 July	71	27 July.*
Soap-manufacture	V. J. Kuess	19958	31 Aug.	88	5 Oct.
Sock	A. McCole	20045	13 Sept.
Socks, Manufacture of	L. S. Donald	19720	13 July
Socks, Manufacture of	L. S. Donald	19802	28 July
Soldering-iron	J. Coe and V. Johansen ..	19910	19 Aug.	85	21 Sept.
Sole levelling and pressing machine	United Shoe Machinery Company	18690	3 Nov., 1904	82	7 Sept.*
Sole-rounding machine	C. J. Clayton and H. Lightband ..	19691	8 July	71	27 July.*
Sole. (See Boot-sole.)					
Sower. (See Seed-sower.)					
Spanner, Shifting	R. M. Carroll	18989	25 Jan.	67	13 July.
Spark-arrester	J. D. Jackson	20053	18 Sept.	88	5 Oct.*
Sphere-forming machine	C. B. Smith	20086	21 Sept.	88	5 Oct.*
Splitter, Wood-	G. P. Hughes	19509	25 May	78	24 Aug.
Spoon and cake rest	D. Finnane	19870	8 Aug.	78	24 Aug.*
Spouting-bracket	J. Mahoney and J. H. Bowman ..	19730	13 July	71	27 July.*
Sprayer	R. Millar	20082	13 Sept.	91	19 Oct.
Sprayer	A. O. and W. J. Grundy	19690	7 July
Spreader for trace-chains	C. Warden, jun.	19753	5 July
Spreader for trace-chains	W. Philpott	19843	3 Aug.	75	10 Aug.*
Spreader to traces, Attaching ..	F. Olsen	20097	27 Sept.	88	5 Oct.*
Spring device, Adjustable	P. J. Capner	19724	13 July	71	27 July.*
Spring-equaliser for vehicle	C. E. Bailey	18541	4 Oct., 1904	88	5 Oct.
Stamp-vending machine	R. J. Dickie and J. H. Brown ..	18548	5 Oct., 1904	75	10 Aug.
Stand. (See Hat-stand, Paper-stand.)					
Station-indicator	A. J. Border	19709	10 July	75	10 Aug.*
Steam-boiler furnace	H. Norgrove	19948	30 Aug.	82	7 Sept.*
Steam-boiler, Multitubular	J. F. Liebentritt	19569	7 June	75	10 Aug.
Steam-boiler, Water-gauge for	J. Shepherd	18425	5 Sept., 1904	78	24 Aug.
Steam cooker	E. J. Hatcher and C. Henry	20041	12 Sept.
Steam-distribution for locomotive	W. E. Hughes	20023	12 Sept.	91	19 Oct.
Steam-distribution for locomotive	W. E. Hughes	20067	21 Sept.
Steam-engine	T. B. Baty	20062	20 Sept.	88	5 Oct.*
Steam-engine, Reversible	J. H. Ridgen	19814	28 July	75	10 Aug.*
Steam-generator thermal storage ..	D. Halpin	19946	30 Aug.	91	19 Oct.
Steam or water valve	C. J. Waugh	19823	2 Aug.	78	24 Aug.*
Steam-valve	A. H. Farmer	19819	1 Aug.	75	10 Aug.*
Steel-bar manufacture	F. H. Anderson, H. Wilson, and E. J. Rigby	20070	21 Sept.	88	5 Oct.*
Stereoscopic effect, Producing ..	W. Mizon	19687	6 July	71	27 July.*
Stocking	A. McCole	20045	13 Sept.
Stockings, Manufacture of	L. S. Donald	19720	13 July
Stockings, Manufacture of	L. S. Donald	19802	28 July
Stone, Artificial	T. N. Horsley	19583	8 June	75	10 Aug.
Stop-cock	T. Ritchie	19693	28 June	71	27 July.*
Stopper. (See Bottle-stopper, Horse-stopper.)					
Stove, Shelf of Gas-	G. M. Ivey	19673	4 July	71	27 July.*
Strap for cycle-pedal	R. Weston	19689	5 July	71	27 July.*
Strap, Detaching buckle-tongue from	E. W. Thurgar	20096	23 Sept.	88	5 Oct.*
Street-cleaner	R. Wilson	19993	2 Sept.	88	5 Oct.*
Street-sweeper	P. Holt	19810	31 July	75	10 Aug.*
Stripper. (See Flax-stripper.)					
Stripper, Saw-set and gauge	A. E. Bregman	19896	17 Aug.	85	21 Sept.
Sunken vessels, Raising	J. Crook	19917	19 Aug.
Superheater	W. Schmidt	19829	3 Aug.	82	7 Sept.
Superheater for boiler	W. Schmidt	19768	20 July	82	7 Sept.
Superheating-tube for boiler	W. Schmidt	19767	20 July	82	7 Sept.
Support. (See Abdominal support, Book-support.)					
Surgical appliance	A. Miller	20100	27 Sept.	..	5 Oct.*
Suspension bridge	J. Dawson	19956	31 Aug.	82	7 Sept.*
Swingletree	L. Healy	19837	2 Aug.	75	10 Aug.*
Swingletree	J. H. Roberts	20011	6 Sept.	85	21 Sept.*
Switch-block, Electric	H. Luks	19921	23 Aug.	82	7 Sept.*
Syringe	J. H. Adams	19947	30 Aug.	82	7 Sept.*
Table game	D. Robertson	19788	25 July	75	10 Aug.*
Table. (See Carving-table, Concentrating table, Dining and billiard table, Gold-saving table.)					

ALPHABETICAL LIST OF INVENTIONS—continued.

Invention.	Name.	Application.		Gazette.	
		No.	Date.	No.	Date.
Tank. (See Septic tank.)					
Tap	J. W. Tucker	18718	10 July	71	27 July.*
Temperature-regulator	T. W. Watson	19928	23 Aug.
Tester, Egg-	W. P. Mooney	19904	18 Aug.
Thermal-storage* for steam-generator	D. Halpin	19946	30 Aug.	91	19 Oct.
Thresher, Cocksfoot	H. C. Thomsen	19770	20 July	71	27 July.*
Ticket holder and obtainer	G. H. White	19717	10 July	71	27 July.*
Timber veneer, Repairing	A. McColl	18652	21 Oct., 1904	78	24 Aug.
Tin for foodstuffs	H. T. Griffiths and G. E. Andrew	19954	31 Aug.	82	7 Sept.*
Tin. (See Kerosene-tin, Preserving-tin.)					
Tire	Consolidated Rubber Tire Com- pany	19257	13 April, 1904†	67	13 July.
Tire	J. Robinson and W. Stocks	19677	5 July	75	10 Aug.*
Tire	F. G. McKim	19979	5 Sept.
Tire-cover	T. S. Skeates	19580	7 June	71	27 July.*
Tire-cover	F. A. Burkitt	19893	18 Aug.	82	7 Sept.*
Tire-protector	H. B. Williams	19877	9 Aug.	85	21 Sept.*
Tire-protector	F. J. W. Gascoyne	19731	13 July	82	7 Sept.*
Tire-protector	A. McLean	18564	8 Oct., 1904	85	21 Sept.*
Tire valve and connection	A. A. Withers	19833	3 Aug.	82	7 Sept.*
Toasting-device	W. Spencer	19702	10 July	71	27 July.*
Toasting-fork	T. C. Hement	19716	11 July
Toasting-fork	T. H. Rutherford	19908	21 Aug.	85	21 Sept.*
Tobacco-lighter	W. P. MacIntosh	20065	21 Sept.
Tobacco-pipe	E. L. Pembroke	19759	19 July
Tool-holder	G. Barrett	19743	17 July	71	27 July.*
Tow, Making oakum from	J. Davis	19734	14 July	75	10 Aug.*
Trace-chains, Spreader for	C. Warden, jun.	19753	5 July
Trace-chains, Spreader for	W. Philpott	19843	3 Aug.	75	10 Aug.*
Trace-spreader to traces, Attaching	F. Olsen	20097	27 Sept.	88	5 Oct.*
Traction-engine, Securing pins of	J. Gale	20084	22 Sept.	88	5 Oct.*
Traction-engine shoe	D. T. McPhedran	19812	28 July	78	24 Aug.*
Tram-line cleaner	J. W. Murdock	18972	16 Jan.	67	13 July.
Tram-rail cleaner	H. Quertier	19831	3 Aug.	75	10 Aug.*
Trap. (See Animal-trap, Bird-trap, Rabbit-trap, Vermin-trap.)					
Travelling-race or alleyway	C. Rask and E. A. Cameron	20112	23 Sept.
Tray	A. J. J. Bolton and T. Rand	19952	31 Aug.	82	7 Sept.*
Trolley, Connecting with wire	E. Moss	19722	13 July	71	27 July.*
Trolley-pole	H. Quertier	19793	26 July	75	10 Aug.*
Trolley-pole	H. Quertier	19840	5 Aug.	82	7 Sept.*
Trolley-wheel	H. Quertier	19886	16 Aug.	78	24 Aug.*
Truck, Elevating hand- Tube. (See Conductor tube, Superheat- ing tube.)	D. H. K. McGuinness	18475	22 Sept., 1904	67	13 July.
Turbine	M. Heeb	19940	28 Aug.	82	7 Sept.*
Turbine, Steam	T. Falvey	18399	3 Sept., 1904	85	21 Sept.
Turbine-pump	Henry R. Worthington	20033	14 Sept.	91	19 Oct.
Turnip-thinner	F. W. Barton, W. Morton, and J. Hercus	19491	8 May	71	27 July.
Upholstering furniture, &c.	F. Barrow	19736	13 July	75	10 Aug.*
Vaccine	E. M. Houghton	20081	22 Sept.
Vacuum-intensifier	The Hon. C. A. Parsons	19757	19 July	85	21 Sept.
Valve	F. J. Shelton	20017	11 Sept.	91	19 Oct.
Valve-controller	The Hon. C. A. Parsons	19713	13 July	78	24 Aug.
Valve. (See Check-valve, Cycle-valve, Hydraulic-ram valve, Piston-valve, Steam-valve, Tire-valve.)					
Valves, Operating	W. Howlin	19644	28 June	71	27 July.*
Vapouriser, Liquid	A. Hayes	19574	8 June	71	27 July.*
Vehicle-jack	T. T. Rawhiti	19704	11 July	71	27 July.*
Vehicle seat	A. G. Land	18465	20 Sept., 1904	67	13 July.
Vehicle-shafts	J. Murphy and C. Harper	20025	12 Sept.	88	5 Oct.
Vehicle-spring equalising device	C. E. Bailey	18541	4 Oct., 1904	88	5 Oct.
Vending-machine	R. J. Dickie and J. H. Brown	18548	5 Oct., 1904	75	10 Aug.
Veneer-cutter	G. S. Mayhew	19862	10 Aug.	85	21 Sept.
Veneer-repairing	A. McColl	18652	21 Oct., 1904	78	24 Aug.
Venetian blind	F. E. Robertshaw	19609	16 June	71	27 July.*
Venetian blind cord grip	W. E. Cook	20001	7 Sept.	85	21 Sept.*
Venetian blind tape	C. J. R. Richardson	19945	29 Aug.	82	7 Sept.*
Ventilating-sash	W. E. Walker	18644	19 Oct., 1904	82	7 Sept.
Ventilator	T. Driffield and P. T. Johns	19552	5 June	71	27 July.
Ventilator-cowl	J. J. Blockley and J. A. Lissington	19804	29 July	88	5 Oct.
Verandah-column	J. Dunbar	19754	11 July	75	10 Aug.*
Vermin-trap	J. S. Scarr	20031	14 Sept.	88	5 Oct.*
Vessel	Monitor Shipping Corporation, Limited	19861	10 Aug.
Vessels, Propelling	T. Beckett	19773	21 July
Vessels, Propulsion of	C. E. L. Brown	19711	13 July	78	24 Aug.
Vessels, raising sunken	J. Crook	19917	19 Aug.
Vibrating screen	Colorado Ironworks Company	19667	3 July	91	19 Oct.
Vote-recorder	W. Madder	19982	6 Sept.	85	21 Sept.*
Voting-machine	H. J. B. Harding	19728	13 July	85	21 Sept.

ALPHABETICAL LIST OF INVENTIONS—continued.

Invention.	Name.	Application.		Gazette.	
		No.	Date.	No.	Date.
Walls, Fireproof	J. Watson	19785	24 July
Walls, Partitions of	R. Hudson	20087	25 Sept.
Washing-fluid	F. E. A. Gordon and E. Hepworth	20018	11 Sept.
Washing machine, Hair, wool, &c.	E. Elliott	19847	4 Aug.	82	7 Sept.
Watch-regulator	J. C. Ellis	20072	21 Sept.	91	19 Oct.*
Water-cistern, Flush for	T. W. Park	19703	11 July	71	27 July.*
Water-closet	R. W. and S. Ashcroft, M. Morgan, A. Weber, and A. C. Pocock	19553	5 June	71	27 July.
Water-filter	G. A. Abbott	18393	1 Sept., 1904	78	24 Aug.
Water-filter	J. C. Barker	19942	29 Aug.	88	5 Oct.
Water-gauge for steam-boiler	J. Shepherd	18425	5 Sept. 1904	78	24 Aug.
Water heater, Bath	J. D. Jackson	20054	18 Sept.	88	5 Oct.*
Water heater, Bath	W. H. Hannam	19587	14 June	71	27 July.*
Water-heater	G. Adcock	19600	15 June	71	27 July.
Water-heater	H. Jane	19969	30 Aug.	85	21 Sept.*
Water-heater	B. S. and J. H. Nicholls and C. A. Bennett	19856	8 Aug.	85	21 Sept.
Waterproof coat	H. Weingott	19959	31 Aug.	82	7 Sept.*
Weatherboard	F. de J. Clere	18682	1 Nov., 1904	82	7 Sept.
Weed-cleaner for harrow	F. T. McAnulty	19700	10 July	71	27 July.*
Weed-cutter	A. M. Grainger	19975	1 Sept.
Weed-eradicator	V. Karl	20016	11 Sept.
Weight-raiser	O. Paora	19659	28 June	71	27 July.
Welt, Operating on boot or shoe	United Shoe Machinery Company	18691	3 Nov., 1904	82	7 Sept.
Wheel-adhesion to rail, Magnetically increasing	R. C. Lowry	19666	3 July	75	10 Aug.
Wheel-bearings	G. Griffiths	19996	8 Sept.	85	21 Sept.
Wheel-lock	J. W. Compton	19679	5 July	71	27 July.*
Wheel. (See trolley-wheel.)
Wind and water-motor	L. T. Reichel	18640	21 Oct., 1904	82	7 Sept.
Winding appliance, Water-power	J. Strathern	18955	10 Jan.	78	24 Aug.
Window-lock	G. C. Nicholson	19719	10 July	71	27 July.*
Window-lock	J. I. Moss	19961	31 Aug.	91	19 Oct.
Window-sash	W. Edwards and T. Larsen	19432	5 May	75	10 Aug.
Window-sash	F. de J. Clere	18674	29 Oct., 1904	88	5 Oct.
Window-sash sustainer	E. J. Parrish	20043	15 Sept.
Windows, operating railway, &c.	W. F. Williams	19850	8 Aug.	85	21 Sept.
Wire mattress	W. Bills	19639	27 June	71	27 July.
Wire mattress	A. and G. A. Harrowby	19751	18 July	78	24 Aug.*
Wire-strainer	C. Burton, A. I. Littlejohn, and P. Still	19931	24 Aug.	88	5 Oct.
Wire-suspender for bottles	J. Sharpe	20068	21 Sept.
Wire-tightener	J. J. Ward	18785	24 Nov., 1904	85	21 Sept.
Wood-spitter	G. P. Hughes	19509	25 May	78	24 Aug.
Wool-scouring detergent	S. Wohle	19665	3 July	75	10 Aug.
Wrench. (See Pipe-wrench, Ratchet-wrench.)

List of Applicants for Registration of Trade Marks.

ALPHABETICAL list of applicants for registration of trade marks for quarter ending 30th September, 1905 (including, also, applications lodged prior to but gazetted during such quarter).

Name.	Address.	Class.	Application.		Gazette.	
			No.	Date.	No.	Date.
Adnams Bros.	Christchurch, N.Z.	22	5543	28 Sept.	91	19 Oct.
Æolian Company, The	New York, U.S.A.	9	5402	20 July	71	27 July.
Æolian Company, The	New York, U.S.A.	9	5475, 6, 7	23 Aug.	82	7 Sept.
Æolian Company, The	New York, U.S.A.	9	5478, 9	23 Aug.
Alaska Packers' Association	San Francisco, U.S.A.	42	5457	15 Aug.	78	24 Aug.
Alldays and Onions Pneumatic Engineering Company, Limited	Birmingham, England	22	5460, 1	18 Aug.	78	24 Aug.
Amsterdamsche Likeurstokerij, 't Lootseje Der Erven Lucas Bols	Amsterdam, Holland	43	5136	25 Jan.	67	13 July.
Anglo-British Columbia Packing Company, Limited, The	Vancouver, B.C.	42	5488	25 Aug.	85	21 Sept.
Bagley, A.	Dunedin, N.Z.	47	5520	14 Sept.	85	21 Sept.
Barnard and Brown	Dunedin, N.Z.	42	5412	24 July
Barrand and Son. (See L. Cohen.)
Barrett, W. H.	Southport, England	6	5373	3 July	67	13 July.
Bentley, E. A.	Auckland, N.Z.	3	5440	8 Aug.	78	24 Aug.
Bisshop, H. L. G.	Delft, Holland	50	5519	14 Sept.
Blenkiron and Son, W.	London, England	38	5397	13 July	71	27 July.
Bock, P.	Auckland, N.Z.	2, 50	5273, 4	5 May	78	24 Aug.
Borsalino Guiseppe and Fflo	Alessandria, Italy	38	5204, 5	18 March	67	13 July.
Bostock, J. J.	Wanganui, N.Z.	42	5323	5 June	85	21 Sept.
British-American Tobacco Company, Limited	London, England	45	5505	6 Sept.

ALPHABETICAL LIST OF APPLICANTS FOR REGISTRATION OF TRADE MARKS—continued.

Name.	Address.	Class.	Application.		Gazette.	
			No.	Date.	No.	Date.
Brough, Nicholson, and Hall ..	Christchurch, N.Z.	30	5544	28 Sept.
Brown and Sons, J. S. (See G. H. Brown.)						
Brown, Ewing, and Co., Limited ..	Dunedin, N.Z. ..	38	5529	20 Sept.	88	5 Oct.
Brown, G. H. ..	Belfast, Ireland ..	27	5470	22 Aug.
Brown, G. H. ..	Belfast, Ireland ..	28	5471	22 Aug.	78	24 Aug.
Burgoyne and Co., Limited, P. B. ..	London, England ..	43	5515	11 Sept.	85	21 Sept.
Burmah Oil, Limited, The ..	Rangoon, Burmah ..	47	5539	27 Sept.	88	5 Oct.
Bush, G. H. ..	Christchurch, N.Z.	39, 47	5383, 4	6 July	71	27 July.
Bycroft, Limited ..	Auckland, N.Z.	42	5512	8 Sept.	85	21 Sept.
Chandon et Cie ..	Epernay, France ..	43	5404, 5	20 July	75	10 Aug.
Chipman, Limited ..	New York, U.S.A. ..	42	5535	21 Sept.
Christchurch Meat Company, Limited, The	Christchurch, N.Z.	4, 42	5486, 7	24 Aug.	88	5 Oct.
Christian, H. ..	Hastings, N.Z. ..	13	5329	10 June	71	27 July.
Clark, E. H. ..	Christchurch, N.Z.	22	5277	8 May	71	27 July.
Cohen, L. ..	Wellington, N.Z.	3	5453	11 Aug.	78	24 Aug.
Cook and Ross. (See J. S. Ross.)						
Cormack, D., and another ..	Sydney, N.S.W.	1	5459	17 Aug.
Davies, A. A., and another ..	Wanganui, N.Z.	3	5455	14 Aug.	78	24 Aug.
Davies, A. and E. (See A. A. and E. B. Davies.)						
Davies, E. B., and another ..	Wanganui, N.Z.	3	5455	14 Aug.	78	24 Aug.
De Kuyper and Son, J. ..	Rotterdam, Holland ..	43	5354, 5	28 June	75	10 Aug.
Dickie, H. W. ..	Wanganui, N.Z.	3	5454	11 Aug.	78	24 Aug.
Dimock and Co., Limited, W.	Wellington, N.Z.	42	5278	8 May	85	21 Sept.
Dobson, T. J. ..	Wellington, N.Z.	47	5387	10 July
El Oriente Fabrica de Tabacos Sociedad Anonima, at Manila	Manila, P.I. ..	45	5406, 7, 8	22 July	71	27 July.
Eltham Bacon Company, Limited, The	Eltham, N.Z. ..	42	5413	24 July	71	27 July.
Entrican and Co., Limited, A. J. ..	Auckland, N.Z.	42	5331	13 June	75	10 Aug.
Fairbairn, Wright, and Co. ..	Wellington, N.Z.	42	5390	11 July	71	27 July.
Ferriday, T. F. ..	Onapua Bay, N.Z.	2	5392	13 July	71	27 July.
Firth, E. T. C. ..	Auckland, N.Z.	50	5496	1 Sept.	82	7 Sept.
Ford Company, The J. B. ..	Ford, U.S.A. ..	1	5374, 5	3 July
Francis, Chapman, Deekes, and Co.	London, England ..	5	5503	6 Sept.	85	21 Sept.
Frontenac Cereal Company, Limited, The	Kingston, Canada ..	42	5472	22 Aug.	78	24 Aug.
Fry and Sons, Limited, J. S. ..	Bristol, England ..	42	5424	1 Aug.	75	10 Aug.
Fussell and Co., Limited ..	London, England ..	42	5431	4 Aug.	85	21 Sept.
Gallagher, T. ..	Waihopo, N.Z.	3	5395	18 July	71	27 July.
Gardiner and Hardie ..	Wellington, N.Z.	42	5528	20 Sept.	88	5 Oct.
Gill, M. J. ..	Wellington, N.Z.	47	5517	14 Sept.	85	21 Sept.
Gollin and Co., Proprietary, Limited	Wellington, N.Z.	42	5545	28 Sept.	88	5 Oct.
Gregg and Co., Limited, W. ..	Dunedin, N.Z.	42	5292	13 May	71	27 July.
Gutta Percha and Rubber Manufacturing Company of Toronto, Limited, The	Toronto, Canada ..	38, 40, 50	5432, 3, 4	4 Aug.	75	10 Aug.
Gutta Percha and Rubber Manufacturing Company of Toronto, Limited, The	Toronto, Canada ..	38, 40, 50	5435, 6, 7	4 Aug.
Harker, J. ..	Milton, N.Z. ..	47	5313	30 May	78	24 Aug.
Hayward Bros. and Co., Limited ..	Christchurch, N.Z.	42	5449, 50	10 Aug.	78	24 Aug.
Hayward Bros. and Co., Limited ..	Christchurch, N.Z.	42	5451	10 Aug.
Henderson and Sons, J. ..	Sydney, N.S.W.	42	5401	20 July	78	24 Aug.
Henkes' Distillery, J. H. ..	Rotterdam, Holland ..	43	5429	3 Aug.	78	24 Aug.
Henkes' Distillery, J. H. ..	Rotterdam, Holland ..	43	5430	3 Aug.
Hill, Limited, R. and J. ..	London, England ..	45	5444, 5	9 Aug.	78	24 Aug.
Hole and Co. (Timaru Brewery), Limited, J.	Timaru, N.Z. ..	43	5150, 1	2 Feb.	75	10 Aug.
Hooper and Harrison ..	Wellington, N.Z.	27, 34	5525, 6	15 Sept.	85	21 Sept.
Hunter and Etheridge ..	Dunedin, N.Z. ..	42	5547	30 Sept.
Icilm Company, Limited, The ..	London, England ..	48	5441	8 Aug.	78	24 Aug.
Iles, E. ..	Dunedin, N.Z. ..	48	5490	28 Aug.	82	7 Sept.
Irvine and Stevenson, Limited ..	Dunedin, N.Z. ..	42	5379	4 July
Irvine and Stevenson, Limited ..	Dunedin, N.Z. ..	42	5380	4 July	67	13 July.
Irvine and Stevenson's St. George Company, Limited	Dunedin, N.Z. ..	42	5530, 1	20 Sept.	91	19 Oct.
Irvine and Stevenson's St. George Company, Limited	Dunedin, N.Z. ..	42	5381	4 July	88	5 Oct.
Jameson, Anderson, and Co. ..	Christchurch, N.Z.	42	5386	8 July	71	27 July.
Keeps, Limited ..	London, England ..	42	5438	7 Aug.	82	7 Sept.
Keystone Lubricating Company	Philadelphia, U.S.A. ..	47	5494	31 Aug.	85	21 Sept.
Klinger, R. ..	London, England ..	50	5536	21 Sept.	88	5 Oct.

ALPHABETICAL LIST OF APPLICANTS FOR REGISTRATION OF TRADE MARKS—continued.

Name.	Address.	Class.	Application.		Gazette.	
			No.	Date.	No.	Date.
Klinger, R., and Co. (See R. Klinger.)						
Kuyper. (See De Kuyper.)						
Lake and Elliot	Braintree, England ..	6	5492	29 Aug.	82	7 Sept.
Lever Bros., Limited	Balmain, N.S.W.	47	5396	13 July	71	27 July.
Lever Bros., Limited	Balmain, N.S.W.	47	5506, 8, 10	7 Sept.	85	21 Sept.
Lever Bros., Limited	Balmain, N.S.W.	48	5507, 9, 11	7 Sept.	85	21 Sept.
Love, J. R.	Sydney, N.S.W.	42	5518	14 Sept.	85	21 Sept.
Love and Co., J. R. (See J. R. Love.)						
Lowden, A. (See A. J. Lowden.)						
Lowden, A. J.	Auckland, N.Z.	42	5389	11 July	71	27 July.
Luxton, M. B.	Christchurch, N.Z. ..	48	5502	6 Sept.	85	21 Sept.
Lyons, M. F.	Wellington, N.Z.	48	5394	17 July	71	27 July.
Machen and Hudson, C.	Liverpool England ..	43	5480	23 Aug.
Maling and Dixon. (See G. R. Maling.)						
Maling, G. R.	Christchurch, N.Z. ..	42	5423	31 July	78	24 Aug.
Mander Bros.	Wolverhampton, England	1	5428	3 Aug.	75	10 Aug.
Marriner and Co.	Christchurch, N.Z. ..	39	5527	20 Sept.	88	5 Oct.
Marshall's Proprietary, Limited ..	Dunedin, N.Z.	42	5497, 8	4 Sept.	85	21 Sept.
Mason, T. G.	Masterton, N.Z.	3, 48	5348, 9	23 June	71	27 July.
Maspero Frères, Limited	London, England	45	5481-5	23 Aug.	88	5 Oct.
Mayes and Langdown	Christchurch, N.Z. ..	22	5546	29 Sept.	88	5 Oct.
Moetet Chandon. (See Chandon et Cie.)						
Morton, E.	Auckland, N.Z.	42	5315	1 June	75	10 Aug.
Morton and Co., H. B. (See E. Morton.)						
Mouat, B. J.	Dunedin, N.Z.	18	5393	14 July	82	7 Sept.
Murie, R. M.	Invercargill, N.Z. ..	22	5414	24 July	88	5 Oct.
Murray and Co., Limited, W. T. ..	Invercargill, N.Z. ..	47	5376	3 July	67	13 July.
Murray and Co., Limited, W. T. ..	Invercargill, N.Z. ..	42	5532, 3, 4	20 Sept.
Naamlooze Vennootschap Hollandische Cacao en Chocolade-Fabrieken, voorheen Bendorp and Co.	Amsterdam, Holland ..	42	5501	6 Sept.
Nathan and Co., Limited, J.	Wellington, N.Z.	42	5516	12 Sept.	85	21 Sept.
New Zealand Industrial Co-operative Society, Limited, The	Christchurch, N.Z. ..	42	5514	9 Sept.	85	21 Sept.
Ogden, A. R.	Sydney, N.S.W.	3	5504	6 Sept.	85	21 Sept.
Oriente Tobacco Manufacturing Company, Limited, of Manila, The. (See under "El Oriente, &c.")						
Parkes and Co., Limited, A. and F. ..	Birmingham, England ..	12	5361, 3, 5, 7, 9, 5371	3 July	67	13 July.
Parkes and Co., Limited, A. and F. ..	Birmingham, England ..	13	5362, 4, 6, 8, 5370, 2	3 July	67	13 July.
Parkinson and Co.	Greymouth, N.Z.	3	5378	4 July	71	27 July.
Pearsall and Co., J.	London, England	30	5469	22 Aug.	78	24 Aug.
Perks, E.	Auckland, N.Z.	3	5462	18 Aug.	82	7 Sept.
Phillips and Pike	Wellington, N.Z.	45	5352	27 June	75	10 Aug.
Phillips and Pike	Wellington, N.Z.	42, 44	5466, 7	21 Aug.	78	24 Aug.
Phillips, E.	Wellington, N.Z.	48	5403	20 July	71	27 July.
Phoenix Motor Company, The. (See W. H. Barrett.)						
Plowman and Son, W.	Napier, N.Z.	42	5513	8 Sept.	85	21 Sept.
Preservaline Manufacturing Company, The	New York, U.S.A.	42	5456	14 Aug.
Price, C. W.	Christchurch, N.Z. ..	48	5422	7 Aug.	75	10 Aug.
Price, C. W.	Christchurch, N.Z. ..	3	5521	14 Sept.	85	21 Sept.
Rickards, Limited, C. A.	Manchester, England ..	30	5235	4 April	71	27 July.
Robins, W.	Auckland, N.Z.	3	5420	25 July	75	10 Aug.
Robinson, and Son, J. H.	Wellington, N.Z.	14	5388	11 July	71	27 July.
Roger, P., and Co.	Epernay, France	43	5537, 8	21 Sept.
Ross, J. S.	Christchurch, N.Z. ..	3	5463, 4	18 Aug.	78	24 Aug.
Royce, Gascoine, and Co., Limited ..	Leicester, England ..	38	5446, 7	10 Aug.	78	24 Aug.
Salt, Bt., Sons and Co., Limited, Sir T.	Saltire, England	34, 38	5399, 5400	19 July
Salt Union, Limited	Liverpool, England ..	42	5448	10 Aug.	82	7 Sept.
Sandy and Co., J. (See J. Sandy and D. Cormack.)						
Sandy, J. M., and another	Sydney, N.S.W.	1	5459	17 Aug.
Sargood, Son, and Ewen	Auckland, N.Z.	36	5377	3 July	71	27 July.
Schade and Buysing	Schiedam, Holland ..	43	5281	10 May	82	7 Sept.
Schlitz Brewing Company, The Jos. ..	Milwaukee, U.S.A. ..	43	5489	25 Aug.	82	7 Sept.
Sharland and Co., Limited	Auckland, N.Z.	3	5491	29 Aug.	82	7 Sept.
Simmons Hardware Company	St. Louis, U.S.A.	1	5398	19 July	75	10 Aug.
Simmons Hardware Company	St. Louis, U.S.A.	12	5493	31 Aug.	91	19 Oct.
Smith and Caughey, Limited	Auckland, N.Z.	38	5439	8 Aug.	78	24 Aug.
Société Anonyme "Louis Brandt et Frère," La	Bienne, Switzerland ..	10	5132	25 Jan.	75	10 Aug.
Société Anonyme "Louis Brandt et Frère," La	Bienne, Switzerland ..	13, 14	5425, 6	1 Aug.	75	10 Aug.

ALPHABETICAL LIST OF APPLICANTS FOR REGISTRATION OF TRADE MARKS—*continued.*

Name.	Address.	Class.	Application.		Gazette.	
			No.	Date.	No.	Date.
Société Menier	Paris, France	42	5468	22 Aug. ..	78	24 Aug.
Spencer, W. W.	Christchurch, N.Z. ..	47	5500	6 Sept. ..	88	5 Oct.
Strauss and Co.	London, England	43	5415-9	25 July
Swales, R. H.	Auckland, N.Z.	38	5522	15 Sept. ..	85	21 Sept.
Tingey and Co., Limited, R. and E. Tucker and Co., J. H. (See J. H. Tucker.)	Wellington, N.Z.	50	5391	11 July ..	71	27 July.
Tucker, J. H.	Birmingham, England ..	13, 16	5473, 4	22 Aug. ..	78	24 Aug.
Turner and Co.	Wanganui, N.Z.	22	5458	17 Aug. ..	78	24 Aug.
Turner, Day, and Woolworth Handle Company, The	Louisville, U.S.A.	50	5234	4 April ..	85	21 Sept.
Union Clothing Company	Wellington, N.Z.	38	5385	7 July ..	71	27 July.
Vangioni, L. J.	Akaroa, N.Z.	42	5499	5 Sept.
Vavasour, H. D.	Blenheim, N.Z.	4, 37	5523, 4	15 Sept. ..	85	21 Sept.
Wallace, W. K.	Hawera, N.Z.	11	5427	31 July
Welsbach Light Company of Aus- tralasia, Limited, The	Wellington, N.Z.	13, 15, 18	5540-2	27 Sept. ..	91	19 Oct.
Whybrow and Co.	Abbotsford, Vic.	38	5442, 3	9 Aug. ..	78	24 Aug.
Wilson and Glenny, Limited	Howick, Scotland	34	5495	31 Aug.
Wilton, M. H.	Wanganui, N.Z.	3	5421	26 July ..	75	10 Aug.
Wood Bros., Limited	Christchurch, N.Z.	42	5409, 10	22 July ..	75	10 Aug.
Wood Bros., Limited	Christchurch, N.Z.	42	5411	22 July ..	71	27 July.
Woolcott and Co., R. R.	Melbourne, Vic.	39	5465	21 Aug. ..	78	24 Aug.
Wright and Co., Limited, W. M. ..	Dunedin, N.Z.	42	5452	10 Aug. ..	78	24 Aug.
Young's Chemical Company	Wellington, N.Z.	3	5382	4 July ..	67	13 July.

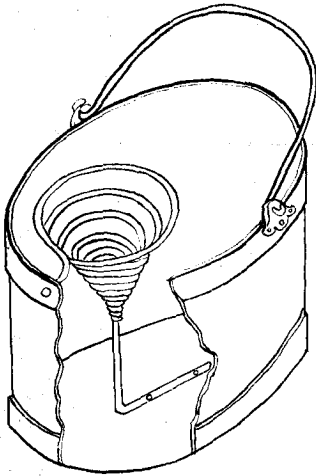
List of Applicants for Registration of Designs.

A LPHABETICAL list of applicants for registration of designs for quarter ending 30th September, 1905 :—

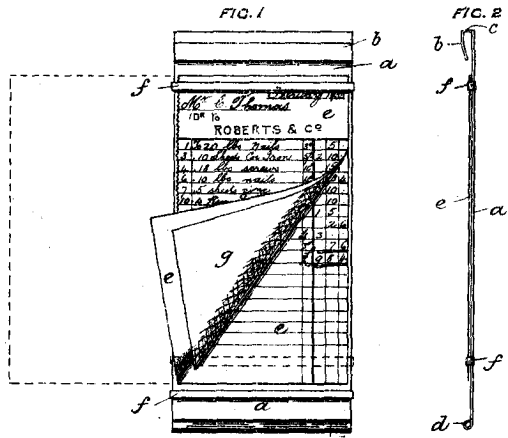
Name.	Address.	No. of Class.	Application.		Gazette.	
			No.	Date.	No.	Date.
Alexander, T. R.	Christchurch, N.Z.	1	238	8 Aug. ..	78	24 Aug.
Beaver and Co., A.	Wellington, N.Z.	2	241-3	31 Aug. ..	85	21 Sept.
Brent, W. H.	Invercargill, N.Z.	1	237	8 July ..	71	27 July.
Grant Bros.	Christchurch, N.Z.	1	240	24 Aug. ..	82	7 Sept.
Mooney, W. P.	Christchurch, N.Z.	1	249	23 Sept. ..	88	5 Oct.
Phillips, G. W.	Christchurch, N.Z.	5	244	7 Sept. ..	85	21 Sept.
Pither and Carter	Christchurch, N.Z.	1	245	5 Sept. ..	85	21 Sept.
Sargood, Son, and Ewen	Auckland, N.Z.	8	236	5 July ..	67	13 July.
Shacklock, Limited, H. E.	Dunedin, N.Z.	1	239	10 Aug. ..	78	24 Aug.
Shacklock, Limited, H. E.	Dunedin, N.Z.	1	246	18 Sept. ..	85	21 Sept.
Smith and Sons, S.	Christchurch, N.Z.	10	247	18 Sept. ..	85	21 Sept.
Wall, C. M.,	Christchurch, N.Z.	1	250	18 Sept. ..	88	5 Oct.
Welsh, T.	West Bromwich, England	3	248	21 Sept. ..	88	5 Oct.

ILLUSTRATIONS OF INVENTIONS.

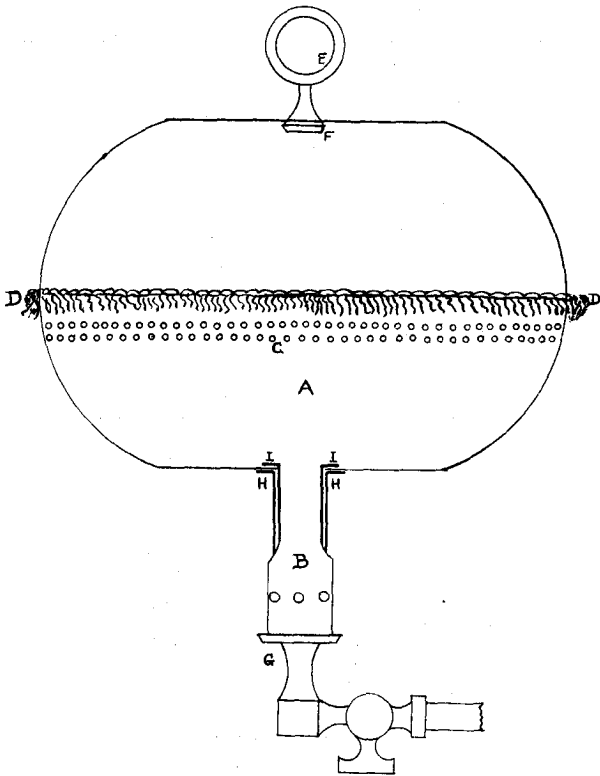
[These illustrations refer to the complete specifications accepted, and advertised in this *Gazette*.]



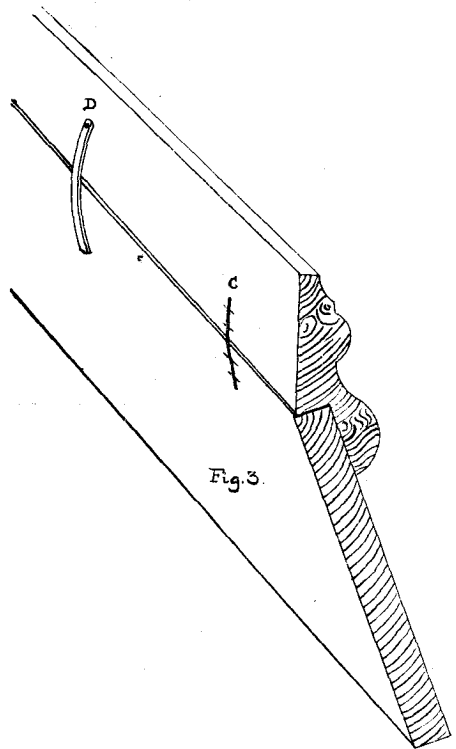
18889
Stevenson. Mop-wringer.



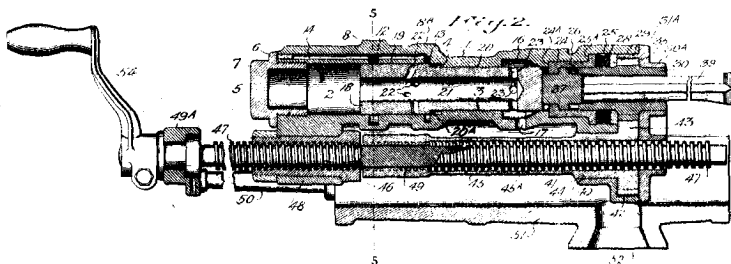
19000
Hopwood. Account-system.



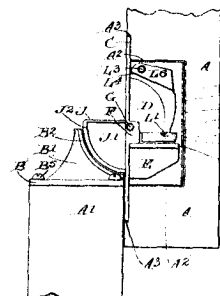
19585
Watt. Gas-heater.



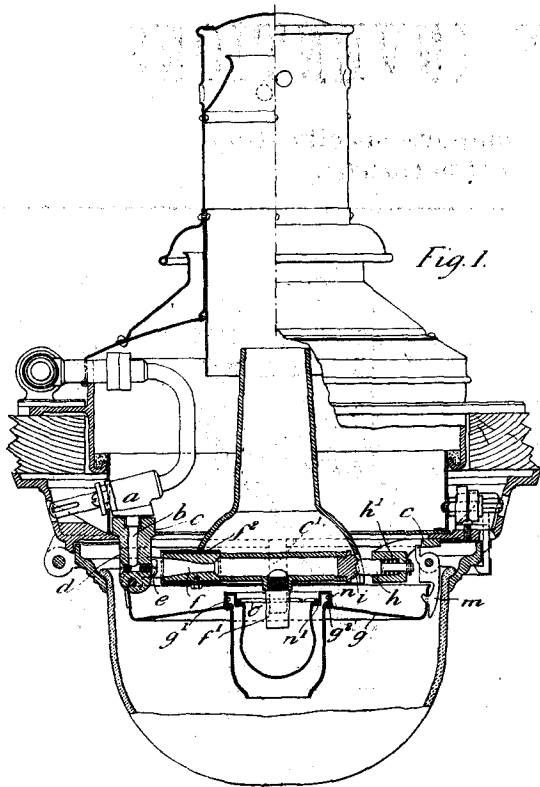
19913
Clark. Rain-excluder.



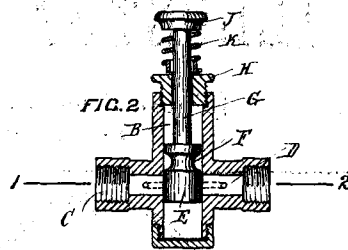
19962
Leyner. Rock-drilling Engine.



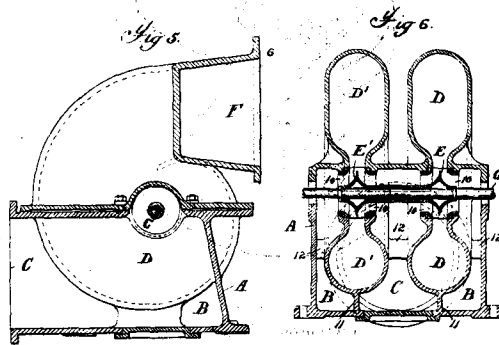
19961
Moss. Window-lock.



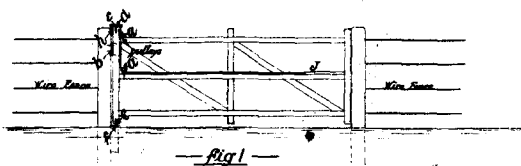
20019
Pintsch's Patent Lighting Company (Limited). - Gas-lamp.
(Pintsch.)



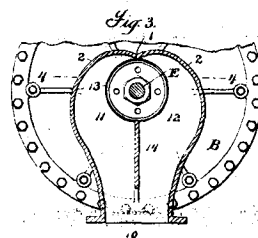
20017
Shelton. Valve.



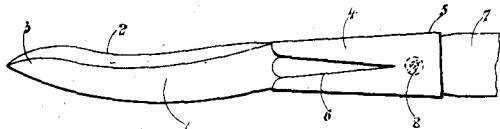
20027
Henry R. Worthington. Centrifugal-pump. (Ray.)



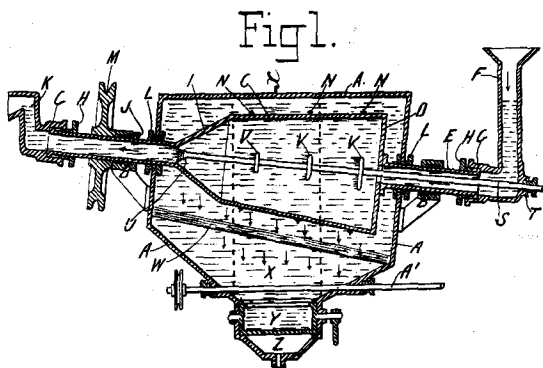
20086
Paull. Gate-opener.



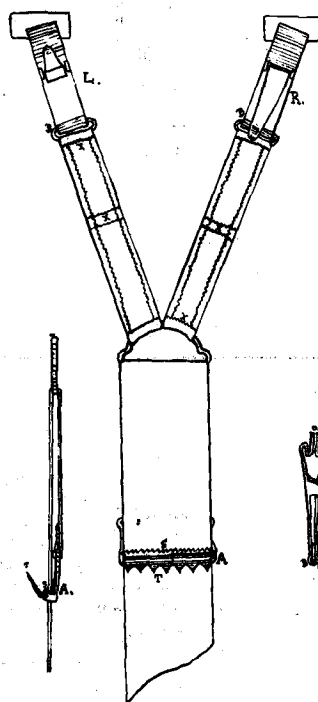
20083
Henry R. Worthington. Turbine-pump. (Ray.)



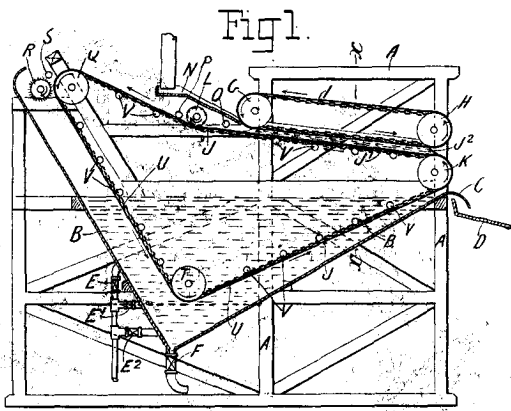
20039
Falls. Slasher-fastener.



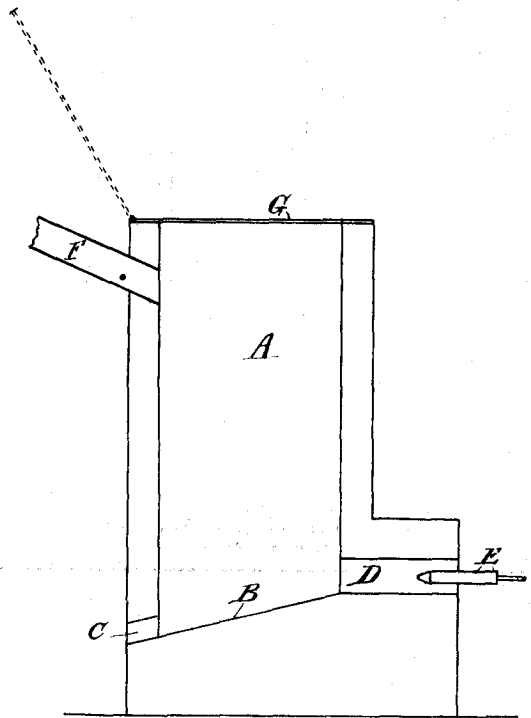
20098
Nicholson. Gold-separator.



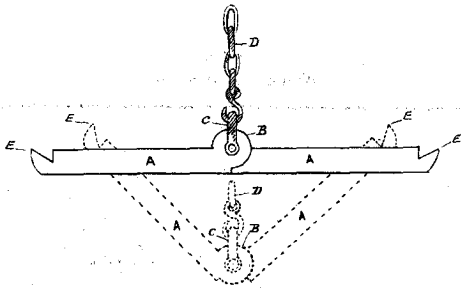
20093
Baskville. Braces.



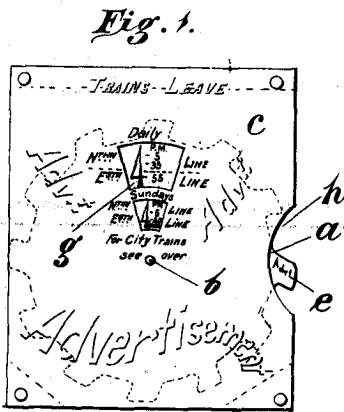
20099
Nicholson. Gold-saving Apparatus.



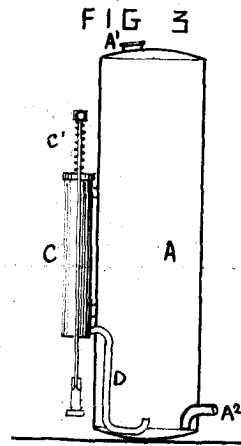
20060
Cotton. Garbage-furnace.



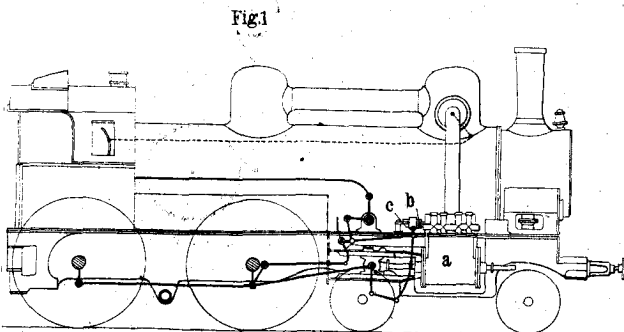
20091
Kinimont. Gambrel.



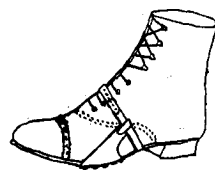
18749
Rae. Time-table and Advertiser. (Luke.)



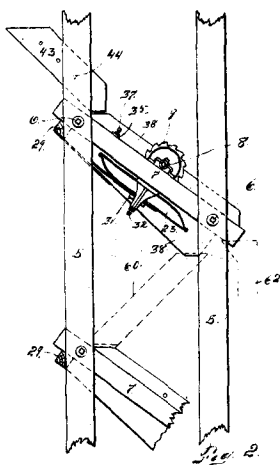
20082
Millar. Sprayer.



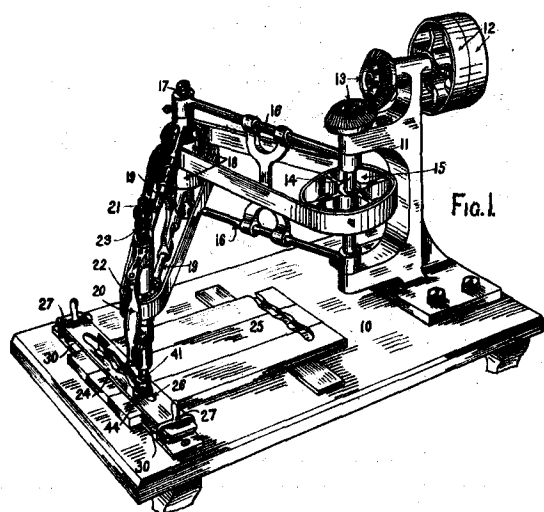
20023
Hughes. Locomotive Steam Distribution. (Lentz and Bellens.)



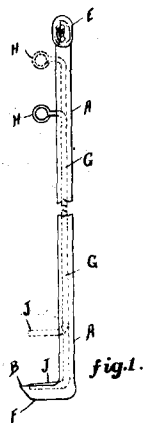
20088
Bayley. Boot-sole Attachment.



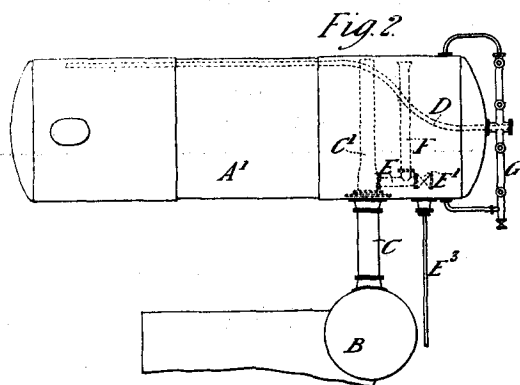
19687
Colorado Iron Works Company. Vibrating-screen.
(Fitts and Atkins.)



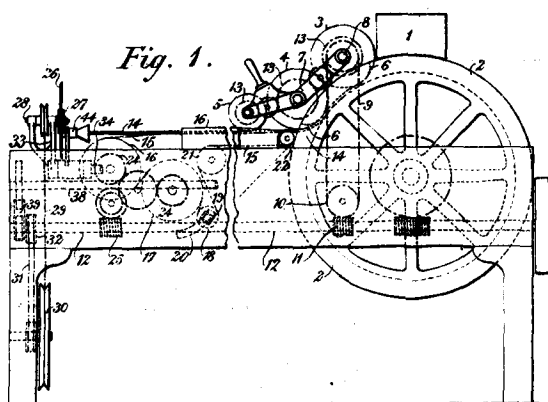
19923
Winter. Mortice-cutter.



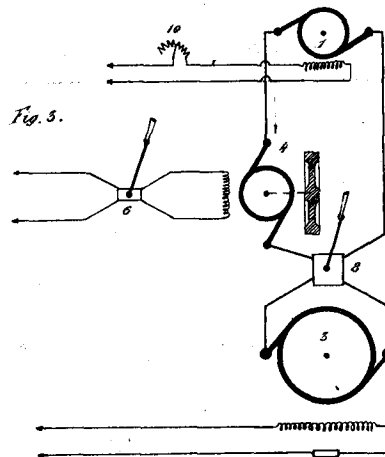
19911
Hansen. Gum-hook.



19946
Halpin. Thermal-storage Apparatus.



19986
Pollard and Behrmann. Cigarette-machine.



19987
Pieper. Electric Machine-governor.